

"THIS DOCUMENT AND SPECIFICATION HEREIN, ARE THE PROPERTY OF DIGITAL EQUIPMENT CORPORATION AND SHALL NOT BE REPRODUCED OR COPIED OR USED IN WHOLE OR IN PART AS THE BASIS FOR THE MANUFACTURE OR SALE OF ITEMS WITHOUT WRITTEN PERMISSION."  
 COPYRIGHT (C) 1987, DIGITAL EQUIPMENT CORPORATION

TABLE OF CONTENTS, FIELD MAINTENANCE PRINT SET PART NO. MPO2509-01

UNIT VARIATIONS COVERED BY THIS PRINT SET  
 VT320-A2, VT320-A3, VT320-B2, VT320-B3, VT320-C2, VT320-C3, VT320-G2, VT320-H2, VT320-J2

K-DD-VT320-0-00	DRAWING DIRECTORY		
K-PL-VT320-0-DBP	PARTS LIST		
E-UA-VT320-0-DBU	UNIT ASSY		
B-DD-5417189-0-0	MONITOR, LOGIC CONTROL MODULE	B-DD-5417277-0-0	MONITOR, LOGIC CONTROL MODULE
B-CS-5417189-0-1	SCHEMATIC	B-CS-5417277-0-1	SCHEMATIC
D-UA-5417189-0-0	UNIT ASSY	D-UA-5417277-0-0	UNIT ASSY
K-PL-5417189-0-DBP	PARTS LIST	K-PL-5417277-0-DBP	PARTS LIST
E-AD-7024240-0-DBU	CRT/BEZEL/YOKE ASSY	D-AD-7024244-0-DBU	POWER SUPPLY ASSY
K-PL-7024240-0-DBP	PARTS LIST	K-PL-7024244-0-DBP	PARTS LIST
B-DD-5417191-0-0	POWER SUPPLY	B-DD-5417279-0-0	POWER SUPPLY
B-CS-5417191-0-1	SCHEMATIC	B-CS-5417279-0-1	SCHEMATIC
D-UA-5417191-0-0	UNIT ASSY	D-UA-5417279-0-0	UNIT ASSY
K-PL-5417191-0-DBP	PARTS LIST	K-PL-5417279-0-DBP	PARTS LIST
E-AD-7024245-0-DBU	BOTTOM ASSY	E-AD-7024242-0-DBU	COVER ASSY
K-PL-7024245-0-DBP	PARTS LIST	K-PL-7024242-0-DBP	PARTS LIST
B-DD-5417339-0-0	ARC PROTECTION MODULE	D-IA-7024577-0-DBU	MONITOR & LOGIC W/ACR PROTECTION
B-CS-5417339-0-1	SCHEMATIC	K-PL-7024577-0-DBP	PARTS LIST
D-UA-5417339-0-0	UNIT ASSY		
K-PL-5417339-0-DBP	PARTS LIST		

REVISION HISTORY

DATE	ECO NUMBER	REV	DATE	ECO NUMBER	REV	DATE	ECO NUMBER	REV	DATE	ECO NUMBER	REV
		A									

d	i	g	i	t	a	l	DRN:	Bruce Harvey	DATE	24 MAR 87	TITLE:	TABLE OF CONTENTS, VT320 MONO TEXT
							CHK'D:	R. J. Lin	DATE	07 JUL 87		TERMINAL W AND W/O PWR CORD
							DES. ENG:	J. Kuo	DATE	07 JUL 87		
							FLD S/C:	Mike Ardehali	DATE	07 JUL 87	SECTION	SHEET
							MFG. ENG:	Gordon Wu	DATE	07 JUL 87	A OF A	1 OF 1
											DOCUMENT NUMBER	REV
											K-TC-VT320-0-0	A

TOP DOCUMENT K-DD-VT320-0-0

"THIS DOCUMENT AND SPECIFICATION HEREIN, ARE THE PROPERTY OF DIGITAL EQUIPMENT CORPORATION AND SHALL NOT BE REPRODUCED OR COPIED OR USED IN WHOLE OR IN PART AS THE BASIS FOR THE MANUFACTURE OR SALE OF ITEMS WITHOUT WRITTEN PERMISSION."  
 COPYRIGHT (C) 1987. DIGITAL EQUIPMENT CORPORATION

DOCUMENT/PART NO.	DESCRIPTION	DOCUMENT/PART REVISIONS
VT320-A2	MONO WHT, TEXT TERM, 120V W/ATTCH PWR CD(NO KYBD/RS232) EK-VT320-UG, VT3XX-BA(LEGEND STRIP)	A01
VT320-A3	MONO WHT, TEXT TERM, 240V W/RS232(NO KYBD/PWR) EK-VT320-UU	A01
VT320-B2	MONO GRN, TEXT TERM, 120V W/ATTCH PWR CD(NO KYBD/RS232) EK-VT320-UG, VT3XX-BA(LEGEND STRIP)	A01
VT320-B3	MONO GRN, TEXT TERM, 240V W/RS232(NO KYBD/PWR) EK-VT320-UU	A01
VT320-C2	MONO AMB, TEXT TERM, 120V W/ATTCH PWR CD(NO KYBD/RS232) EK-VT320-UG, VT3XX-BA(LEGEND STRIP)	A01
VT320-C3	MONO AMB, TEXT TERM, 240V W/RS232(NO KYBD/PWR) EK-VT320-UU	A01
VT320-G2	MONO WHT, TEXT TERM, 120V W/RS232(NO KYBD/PWR CD) EK-VT320-UU, VT3XX-BA(LEGEND STRIP)	A01
VT320-H2	MONO GRN, TEXT TERM, 120V W/RS232(NO KYBD/PWR CD) EK-VT320-UU, VT3XX-BA(LEGEND STRIP)	A01
VT320-J2	MONO AMB, TEXT TERM, 120V W/RS232(NO KYBD/PWR CD) EK-VT320-UU, VT3XX-BA(LEGEND STRIP)	A01
K-PL-VT320-0-DBP	PARTS LIST	A
E-UA-VT320-0-DBU	UNIT ASSY	A
K-TC-VT320-0-0	TABLE OF CONTENTS	A
DRAWING DIRECTORY REVISION		A

NOTES:

REVISION HISTORY											
DATE	ECO NUMBER	REV	DATE	ECO NUMBER	REV	DATE	ECO NUMBER	REV	DATE	ECO NUMBER	REV
	INITIAL	A									

d	i	g	i	t	a	l	DRN:	Bruce Harvey	DATE	17 Mar 87	TITLE:	DRAWING DIRECTORY, VT320 MONO TEXT
							CHK'D:	R. J. Lin	DATE	07 Jul 87		TERMINAL W/ AND W/O PWR CORD
							DES. ENG:	J. Kuo	DATE	07 Jul 87		
							RES. ENG:	O. Lin	DATE	07 Jul 87	SECTION	SHEET
							IMFG. ENG:	Gordon Wu	DATE	07 Jul 87	A OF A	1 OF 1
											DOCUMENT NUMBER	REV
											K-DD-VT320-0-0	A

AUTOMATED BY VAXKPL (V1.3)

PARTS LIST

SHEET A1 OF A2

LINE ITEM	TOP DOCUMENT	PART NUMBER	MIN REV	DESCRIPTION	QUANTITY PER VARIATION/REVISION								
					A2 A1	A3 A1	B2 A1	B3 A1	C2 A1	C3 A1	G2 A1	H2 A1	J2 A1
1	D-IA-7024577-0-DBU	70-24577-01	A	MONITOR AND LOGIC W/ARC PROTECTION	1	-	1	-	1	-	-	-	-
2	D-IA-7024577-0-DBU	70-24577-02	A	MONITOR AND LOGIC W/ARC PROTECTION	-	1	-	1	-	1	1	1	1
3	E-AD-7024240-0-DBU	70-24240-01	A	CRT/BEZEL/YOKE ASSY WHT	1	1	-	-	-	-	1	-	-
4	E-AD-7024240-0-DBU	70-24240-02	A	CRT/BEZEL/YOKE ASSY, GRN	-	-	1	1	-	-	-	1	-
5	E-AD-7024240-0-DBU	70-24240-03	A	CRT/BEZEL/YOKE ASSY, AMB	-	-	-	-	1	1	-	-	1
6	E-AD-7024242-0-DBU	70-24242-01	A	COVER ASSY	1	1	1	1	1	1	1	1	1
7	D-AD-7024244-0-DBU	70-24244-01	A	PS 120V W/ATTACHED PWR CORD	1	-	1	-	1	-	-	-	-
8	D-AD-7024244-0-DBU	70-24244-02	A	PS 120-240V W/O PWR CORD	-	1	-	1	-	1	1	1	1
9	E-AD-7024245-0-DBU	70-24245-01	A	BOTTOM ASSY	1	1	1	1	1	1	1	1	1
10	C-MD-7434816-0-DBU	74-34816-01	A	COVER	1	-	1	-	1	-	-	-	-
11	C-MD-7434531-0-DBU	74-34531-01	A	BAFFLE	1	1	1	1	1	1	1	1	1
12	SEE GEN NOTES 1 TO 6	36-28183-01		LABEL,REGULATORY NORTH AMERICAN VT	1	-	1	-	1	-	-	-	-
13	SEE GEN NOTES 1 TO 6	36-28183-02		LABEL,REGULATORY INTERNATIONAL VT3	-	1	-	1	-	1	1	1	1
14		36-26331-17		LABEL,SERIAL,VT320-A2	1	-	-	-	-	-	-	-	-
15		36-26331-18		LABEL,SERIAL,VT320-A3	-	1	-	-	-	-	-	-	-
16		36-26331-19		LABEL,SERIAL,VT320-G2	-	-	-	-	-	1	-	-	-
17		36-26331-20		LABEL,SERIAL,VT320-B2	-	-	1	-	-	-	-	-	-
18		36-26331-21		LABEL,SERIAL,VT320-B3	-	-	-	1	-	-	-	-	-
19		36-26331-22		LABEL,SERIAL,VT320-H2	-	-	-	-	-	-	1	-	-
20		36-26331-23		LABEL,SERIAL,VT320-C2	-	-	-	-	1	-	-	-	-
21		36-26331-24		LABEL,SERIAL,VT320-C3	-	-	-	-	-	1	-	-	-
22		36-26331-25		LABEL,SERIAL,VT320-J2	-	-	-	-	-	-	-	-	1
23	C-PA-3701001-0-DBU	37-01001-01		PKG MONITOR VT320	1	-	1	-	1	-	-	-	-
24		12-28172-01		CONN,D SUB ADAPTOR	1	-	1	-	1	-	-	-	-
25		17-00811-02		CABLE ASSY 06COND OVAL 26AWG LAN C	1	-	1	-	1	-	-	-	-
26		36-20220-A1		LABEL,KEYBOARD,VT320 NORTH AMERICA	1	-	1	-	1	-	1	1	1
27		36-18460-01		LABEL,BAR CODE BLANK .38 X1.5	1	1	1	1	1	1	1	1	1
28		EK-VT320-UG		INSTLL/USING VT320 VIDEO TERMNL NO	1	-	1	-	1	-	-	-	-
29		EK-VT320-UU		INSTALLING AND USING THE VT320 VID	-	1	-	1	-	1	1	1	1

REVISION HISTORY		KPL MATRIX FORMAT		SECTION A OF A	DRN: J. N. LIN	DIGITAL		
ENG:	ECO NUMBER	REV	SECTION/VARIATION INDEX		DATE: 17-SEP-86	TITLE PARTS LIST		
---	INITIAL	A	[A]	A2,A3,B2,B3,C2,C3,G2,H2,J2	CHK'D: R. J. LIN	UNIT ASSY		
			[B]		DATE: 08-MAY-87	DOCUMENT NUMBER		
			[C]		DES.ENG: J. KOU	SIZE:CODE:	NUMBER	REV
			[D]		DATE: 17-SEP-86	K	PL	VT320-0-DBP
			[E]		RESP.ENG.: O. LIN	RELEASE DATE: 24-JUL-87		
			[F]		DATE: 09-MAY-87	RELEASE STATUS: RELEASED		
			[H]		MFG.ENG: GORDON WU			
			[J]		DATE: 11-JUN-87			
BASIC PART NUMBER:		ASSEMBLY NUMBER:		TOP DOCUMENT NUMBER:		FILE NAME:		EDIT #
VT320		E-UA-VT320-0-DBU		K-DD-VT320-0-0		MLA0360A.PLS		32

"THIS DRAWING AND THE SPECIFICATIONS CONTAINED HEREIN ARE CONFIDENTIAL AND PROPRIETARY. THEY ARE THE PROPERTY OF DIGITAL EQUIPMENT CORPORATION AND SHALL NOT BE REPRODUCED OR COPIED OR USED IN WHOLE OR IN PART AS THE BASIS FOR THE MANUFACTURE OR SALE OF ITEMS WITHOUT WRITTEN PERMISSION. THIS IS AN UNPUBLISHED WORK PROTECTED UNDER THE FEDERAL COPYRIGHT LAWS."

AUTOMATED BY VAXKPL (V1.3)

PARTS LIST

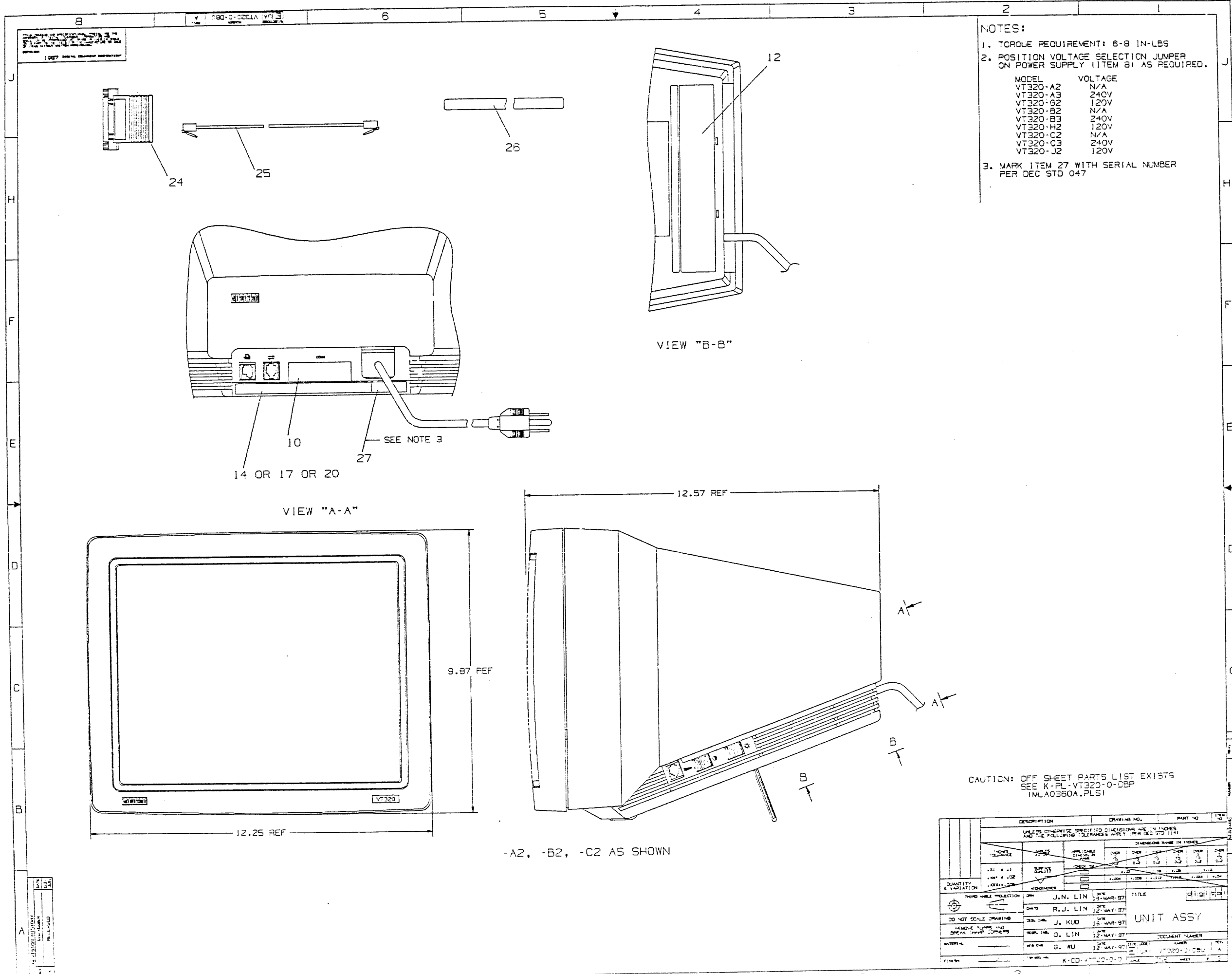
SHEET A2 OF A2

LINE ITEM	TOP DOCUMENT	PART NUMBER	MIN REV	DESCRIPTION	A2	A3	B2	B3	C2	C3	G2	H2	J2
					A1	A1	A1	A1	A1	A1	A1	A1	A1

QUANTITY PER VARIATION/REVISION

- 1 GEN: 36-28183-01 (ITEM 12) IS REQUIRED WHEN MADE IN TAIWAN.
- 2 GEN: 36-28183-02 (ITEM 13) IS REQUIRED WHEN MADE IN TAIWAN.
- 3 GEN: 36-28183-03 IS MANDATORY ALTERNATE FOR 36-28183-01 WHEN MADE IN HONG KONG.
- 4 GEN: 36-28183-04 IS MANDATORY ALTERNATE FOR 36-28183-02 WHEN MADE IN HONG KONG.
- 5 GEN: 36-28183-05 IS MANDATORY ALTERNATE FOR 36-28183-01 WHEN MADE IN MEXICO.
- 6 GEN: 36-28183-06 IS MANDATORY ALTERNATE FOR 36-28183-02 WHEN MADE IN MEXICO.

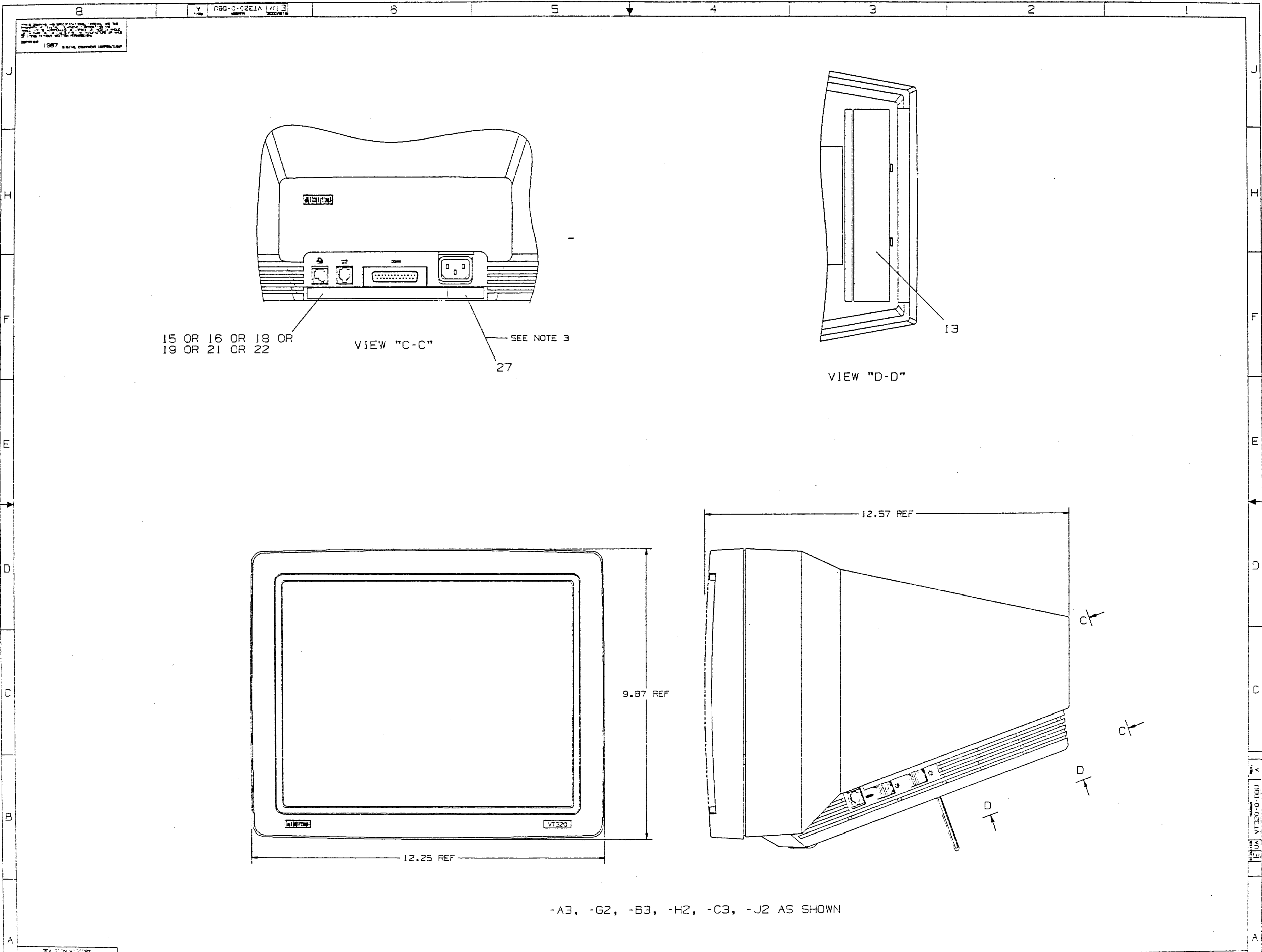
D	I	G	I	T	A	L	TITLE	SECTION A OF A	SIZE	CODE	DOCUMENT NUMBER	REV
							UNIT ASSY		K	PL	VT320-0-DBP	A



- NOTES:
- TORQUE REQUIREMENT: 6-8 IN-LBS
  - POSITION VOLTAGE SELECTION JUMPER ON POWER SUPPLY (ITEM 8) AS REQUIRED.
- | MODEL    | VOLTAGE |
|----------|---------|
| VT320-A2 | N/A     |
| VT320-A3 | 240V    |
| VT320-G2 | 120V    |
| VT320-B2 | N/A     |
| VT320-B3 | 240V    |
| VT320-H2 | 120V    |
| VT320-C2 | N/A     |
| VT320-C3 | 240V    |
| VT320-J2 | 120V    |
- MARK ITEM 27 WITH SERIAL NUMBER PER DEC STD 047

CAUTION: OFF SHEET PARTS LIST EXISTS  
SEE K-PL-VT320-0-DBP  
TMLA0360A.PLS!

DESCRIPTION	DRAWING NO.	PART NO.	REV.
UNLESS OTHERWISE SPECIFIED DIMENSIONS ARE IN INCHES AND THE FOLLOWING TOLERANCES APPLY PER DEC STD 1141			
DIMENSION RANGE IN INCHES			
TOLERANCE	ASSET	OVER	UNDER
0.001 - 0.004	±0.001	±0.001	±0.001
0.004 - 0.007	±0.0005	±0.0005	±0.0005
0.007 - 0.010	±0.0005	±0.0005	±0.0005
0.010 - 0.030	±0.0005	±0.0005	±0.0005
0.030 - 0.060	±0.0005	±0.0005	±0.0005
0.060 - 0.125	±0.0005	±0.0005	±0.0005
0.125 - 0.250	±0.0005	±0.0005	±0.0005
0.250 - 0.500	±0.0005	±0.0005	±0.0005
0.500 - 1.000	±0.0005	±0.0005	±0.0005
1.000 - 2.000	±0.0005	±0.0005	±0.0005
2.000 - 3.000	±0.0005	±0.0005	±0.0005
3.000 - 6.000	±0.0005	±0.0005	±0.0005
6.000 - 12.000	±0.0005	±0.0005	±0.0005
12.000 - 24.000	±0.0005	±0.0005	±0.0005
24.000 - 48.000	±0.0005	±0.0005	±0.0005
48.000 - 96.000	±0.0005	±0.0005	±0.0005
96.000 - 192.000	±0.0005	±0.0005	±0.0005
192.000 - 384.000	±0.0005	±0.0005	±0.0005
384.000 - 768.000	±0.0005	±0.0005	±0.0005
768.000 - 1536.000	±0.0005	±0.0005	±0.0005
1536.000 - 3072.000	±0.0005	±0.0005	±0.0005
3072.000 - 6144.000	±0.0005	±0.0005	±0.0005
6144.000 - 12288.000	±0.0005	±0.0005	±0.0005
12288.000 - 24576.000	±0.0005	±0.0005	±0.0005
24576.000 - 49152.000	±0.0005	±0.0005	±0.0005
49152.000 - 98304.000	±0.0005	±0.0005	±0.0005
98304.000 - 196608.000	±0.0005	±0.0005	±0.0005
196608.000 - 393216.000	±0.0005	±0.0005	±0.0005
393216.000 - 786432.000	±0.0005	±0.0005	±0.0005
786432.000 - 1572864.000	±0.0005	±0.0005	±0.0005
1572864.000 - 3145728.000	±0.0005	±0.0005	±0.0005
3145728.000 - 6291456.000	±0.0005	±0.0005	±0.0005
6291456.000 - 12582912.000	±0.0005	±0.0005	±0.0005
12582912.000 - 25165824.000	±0.0005	±0.0005	±0.0005
25165824.000 - 50331648.000	±0.0005	±0.0005	±0.0005
50331648.000 - 100663296.000	±0.0005	±0.0005	±0.0005
100663296.000 - 201326592.000	±0.0005	±0.0005	±0.0005
201326592.000 - 402653184.000	±0.0005	±0.0005	±0.0005
402653184.000 - 805306368.000	±0.0005	±0.0005	±0.0005
805306368.000 - 1610612736.000	±0.0005	±0.0005	±0.0005
1610612736.000 - 3221225472.000	±0.0005	±0.0005	±0.0005
3221225472.000 - 6442450944.000	±0.0005	±0.0005	±0.0005
6442450944.000 - 12884901888.000	±0.0005	±0.0005	±0.0005
12884901888.000 - 25769803776.000	±0.0005	±0.0005	±0.0005
25769803776.000 - 51539607552.000	±0.0005	±0.0005	±0.0005
51539607552.000 - 103079215104.000	±0.0005	±0.0005	±0.0005
103079215104.000 - 206158430208.000	±0.0005	±0.0005	±0.0005
206158430208.000 - 412316860416.000	±0.0005	±0.0005	±0.0005
412316860416.000 - 824633720832.000	±0.0005	±0.0005	±0.0005
824633720832.000 - 1649267441664.000	±0.0005	±0.0005	±0.0005
1649267441664.000 - 3298534883328.000	±0.0005	±0.0005	±0.0005
3298534883328.000 - 6597069766656.000	±0.0005	±0.0005	±0.0005
6597069766656.000 - 13194139533312.000	±0.0005	±0.0005	±0.0005
13194139533312.000 - 26388279066624.000	±0.0005	±0.0005	±0.0005
26388279066624.000 - 52776558133248.000	±0.0005	±0.0005	±0.0005
52776558133248.000 - 105553116266496.000	±0.0005	±0.0005	±0.0005
105553116266496.000 - 211106232532992.000	±0.0005	±0.0005	±0.0005
211106232532992.000 - 422212465065984.000	±0.0005	±0.0005	±0.0005
422212465065984.000 - 844424930131968.000	±0.0005	±0.0005	±0.0005
844424930131968.000 - 1688849860263936.000	±0.0005	±0.0005	±0.0005
1688849860263936.000 - 3377699720527872.000	±0.0005	±0.0005	±0.0005
3377699720527872.000 - 6755399441055744.000	±0.0005	±0.0005	±0.0005
6755399441055744.000 - 13510798882111488.000	±0.0005	±0.0005	±0.0005
13510798882111488.000 - 27021597764222976.000	±0.0005	±0.0005	±0.0005
27021597764222976.000 - 54043195528445952.000	±0.0005	±0.0005	±0.0005
54043195528445952.000 - 108086391056891904.000	±0.0005	±0.0005	±0.0005
108086391056891904.000 - 216172782113783808.000	±0.0005	±0.0005	±0.0005
216172782113783808.000 - 432345564227567616.000	±0.0005	±0.0005	±0.0005
432345564227567616.000 - 864691128455135232.000	±0.0005	±0.0005	±0.0005
864691128455135232.000 - 1729382256910270464.000	±0.0005	±0.0005	±0.0005
1729382256910270464.000 - 3458764513820540928.000	±0.0005	±0.0005	±0.0005
3458764513820540928.000 - 6917529027641081856.000	±0.0005	±0.0005	±0.0005
6917529027641081856.000 - 13835058055282163712.000	±0.0005	±0.0005	±0.0005
13835058055282163712.000 - 27670116110564327424.000	±0.0005	±0.0005	±0.0005
27670116110564327424.000 - 55340232221128654848.000	±0.0005	±0.0005	±0.0005
55340232221128654848.000 - 110680464442257309696.000	±0.0005	±0.0005	±0.0005
110680464442257309696.000 - 221360928884514619392.000	±0.0005	±0.0005	±0.0005
221360928884514619392.000 - 442721857769029238784.000	±0.0005	±0.0005	±0.0005
442721857769029238784.000 - 885443715538058477568.000	±0.0005	±0.0005	±0.0005
885443715538058477568.000 - 1770887431076116955136.000	±0.0005	±0.0005	±0.0005
1770887431076116955136.000 - 3541774862152233910272.000	±0.0005	±0.0005	±0.0005
3541774862152233910272.000 - 7083549724304467820544.000	±0.0005	±0.0005	±0.0005
7083549724304467820544.000 - 14167099448608935641088.000	±0.0005	±0.0005	±0.0005
14167099448608935641088.000 - 28334198897217871282176.000	±0.0005	±0.0005	±0.0005
28334198897217871282176.000 - 56668397794435742564352.000	±0.0005	±0.0005	±0.0005
56668397794435742564352.000 - 113336795588871485128704.000	±0.0005	±0.0005	±0.0005
113336795588871485128704.000 - 226673591177742970257408.000	±0.0005	±0.0005	±0.0005
226673591177742970257408.000 - 453347182355485940514816.000	±0.0005	±0.0005	±0.0005
453347182355485940514816.000 - 906694364710971881029632.000	±0.0005	±0.0005	±0.0005
906694364710971881029632.000 - 1813388729421943762059264.000	±0.0005	±0.0005	±0.0005
1813388729421943762059264.000 - 3626777458843887524118528.000	±0.0005	±0.0005	±0.0005
3626777458843887524118528.000 - 7253554917687775048237056.000	±0.0005	±0.0005	±0.0005
7253554917687775048237056.000 - 14507109835375550096474112.000	±0.0005	±0.0005	±0.0005
14507109835375550096474112.000 - 29014219670751100192948224.000	±0.0005	±0.0005	±0.0005
29014219670751100192948224.000 - 58028439341502200385896448.000	±0.0005	±0.0005	±0.0005
58028439341502200385896448.000 - 116056878683004400771792896.000	±0.0005	±0.0005	±0.0005
116056878683004400771792896.000 - 232113757366008801543585792.000	±0.0005	±0.0005	±0.0005
232113757366008801543585792.000 - 464227514732017603087171584.000	±0.0005	±0.0005	±0.0005
464227514732017603087171584.000 - 928455029464035206174343168.000	±0.0005	±0.0005	±0.0005
928455029464035206174343168.000 - 1856910058928070412388686336.000	±0.0005	±0.0005	±0.0005
1856910058928070412388686336.000 - 3713820117856140824777372672.000	±0.0005	±0.0005	±0.0005
3713820117856140824777372672.000 - 7427640235712281649554745344.000	±0.0005	±0.0005	±0.0005
7427640235712281649554745344.000 - 14855280471424562991109490688.000	±0.0005	±0.0005	±0.0005
14855280471424562991109490688.000 - 29710560942849125982218981376.000	±0.0005	±0.0005	±0.0005
29710560942849125982218981376.000 - 59421121885698251964437962752.000	±0.0005	±0.0005	±0.0005
59421121885698251964437962752.000 - 118842243771396503928875925504.000	±0.0005	±0.0005	±0.0005
118842243771396503928875925504.000 - 237684487542793007857751851008.000	±0.0005	±0.0005	±0.0005
237684487542793007857751851008.000 - 475368975085586015715503702016.000	±0.0005	±0.0005	±0.0005
475368975085586015715503702016.000 - 950737950171172031431007404032.000	±0.0005	±0.0005	±0.0005
950737950171172031431007404032.000 - 1901475900342344062862014808064.000	±0.0005	±0.0005	±0.0005
1901475900342344062862014808064.000 - 3802951800684688125724029616128.000	±0.0005	±0.0005	±0.0005
3802951800684688125724029616128.000 - 7605903601369376251448059232256.000	±0.0005	±0.0005	±0.0005
7605903601369376251448059232256.000 - 15211807202738752502896118464512.000	±0.0005	±0.0005	±0.0005
15211807202738752502896118464512.000 - 30423614405477505005792236929024.000	±0.0005	±0.0005	±0.0005
30423614405477505005792236929024.000 - 60847228810955010011584473858048.000	±0.0005	±0.0005	±0.0005
60847228810955010011584473858048.000 - 121694457621910020023168947716096.000	±0.0005	±0.0005	±0.0005
121694457621910020023168947716096.000 - 243388915243820040046337895432192.000	±0.0005	±0.0005	±0.0005
243388915243820040046337895432192.000 - 486777830487640080092675790864384.000	±0.0005	±0.0005	±0.0005
486777830487640080092675790864384.000 - 973555660975280160185351581728768.000	±0.0005	±0.0005	±0.0005
973555660975280160185351581728768.000 - 1947111321950560320370703163457536.000	±0.0005	±0.0005	±0.0005
1947111321950560320370703163457536.000 - 3894222643901120640741406326915072.000	±0.0005	±0.0005	±0.0005
3894222643901120640741406326915072.000 - 7788445287802241281482812653830144.000	±0.0005	±0.0005	±0.0005
778844528780224128			



1987 MILITARY STANDARD CONNECTION

15 OR 16 OR 18 OR  
19 OR 21 OR 22

VIEW "C-C"

SEE NOTE 3

VIEW "D-D"

9.87 REF

12.25 REF

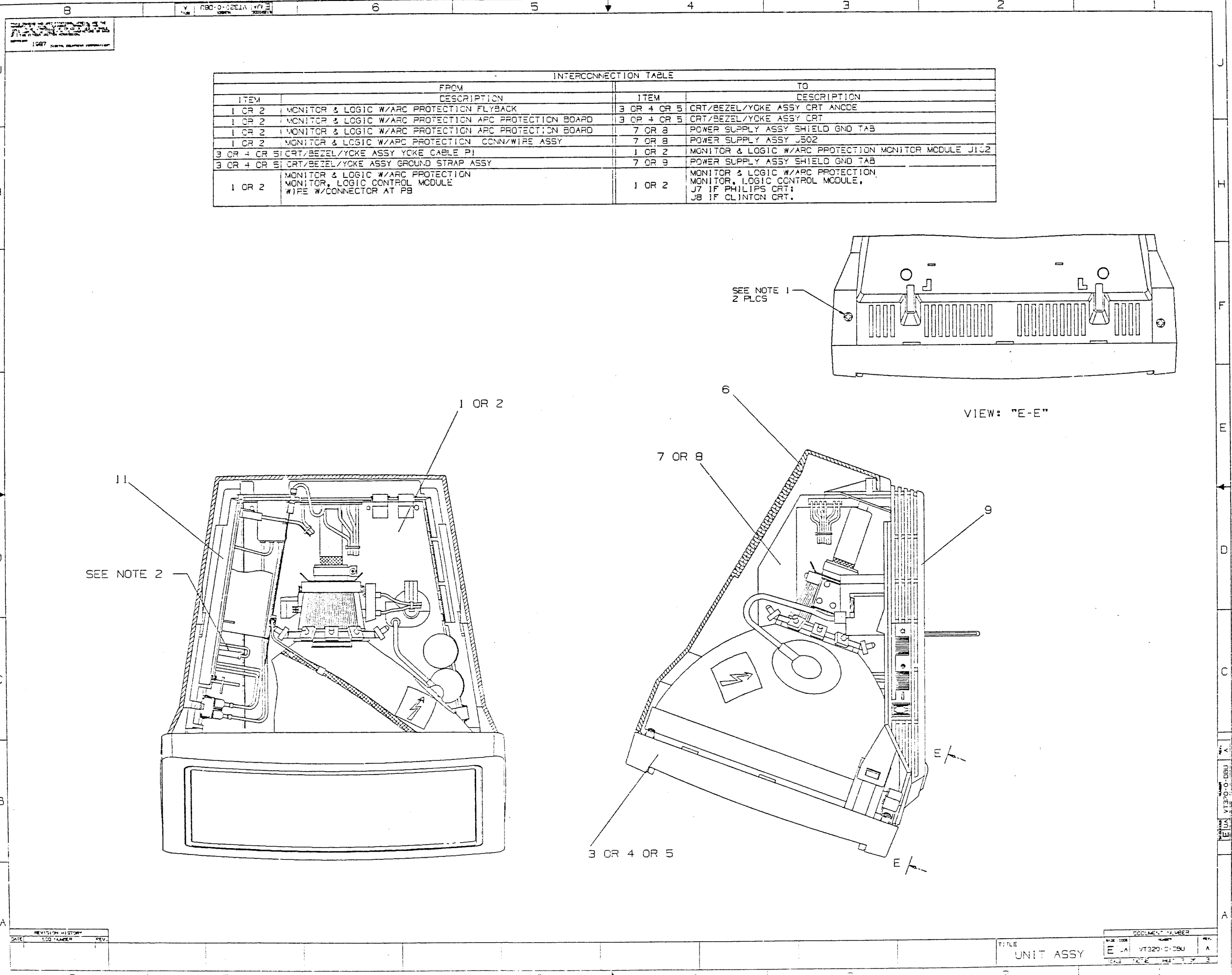
12.57 REF

-A3, -G2, -B3, -H2, -C3, -J2 AS SHOWN

DATE	REVISION HISTORY	REV.
	ECO KALKER	

TITLE  
UNIT ASSY

REV.	DATE	BY	CHKD.	APP'D.	DESCRIPTION
A					VT220-01CSU



INTERCONNECTION TABLE			
ITEM	FROM DESCRIPTION	ITEM	TO DESCRIPTION
1 OR 2	MONITOR & LOGIC W/ARC PROTECTION FLYBACK	3 OR 4 OR 5	CRT/BEZEL/YOKE ASSY CRT ANODE
1 OR 2	MONITOR & LOGIC W/ARC PROTECTION APC PROTECTION BOARD	3 OR 4 OR 5	CRT/BEZEL/YOKE ASSY CRT
1 OR 2	MONITOR & LOGIC W/ARC PROTECTION APC PROTECTION BOARD	7 OR 8	POWER SUPPLY ASSY SHIELD GND TAB
1 OR 2	MONITOR & LOGIC W/ARC PROTECTION CONN/WIRE ASSY	7 OR 8	POWER SUPPLY ASSY J502
3 OR 4 OR 5	CRT/BEZEL/YOKE ASSY YOKE CABLE P1	1 OR 2	MONITOR & LOGIC W/ARC PROTECTION MONITOR MODULE J1C2
3 OR 4 OR 5	CRT/BEZEL/YOKE ASSY GROUND STRAP ASSY	7 OR 9	POWER SUPPLY ASSY SHIELD GND TAB
1 OR 2	MONITOR & LOGIC W/ARC PROTECTION MONITOR, LOGIC CONTROL MODULE W/IFE W/CONNECTOR AT P8	1 OR 2	MONITOR & LOGIC W/ARC PROTECTION MONITOR, LOGIC CONTROL MODULE, J7 IF PHILIPS CRT, J8 IF CLINTON CRT.

SEE NOTE 1  
2 PLCS

VIEW: "E-E"

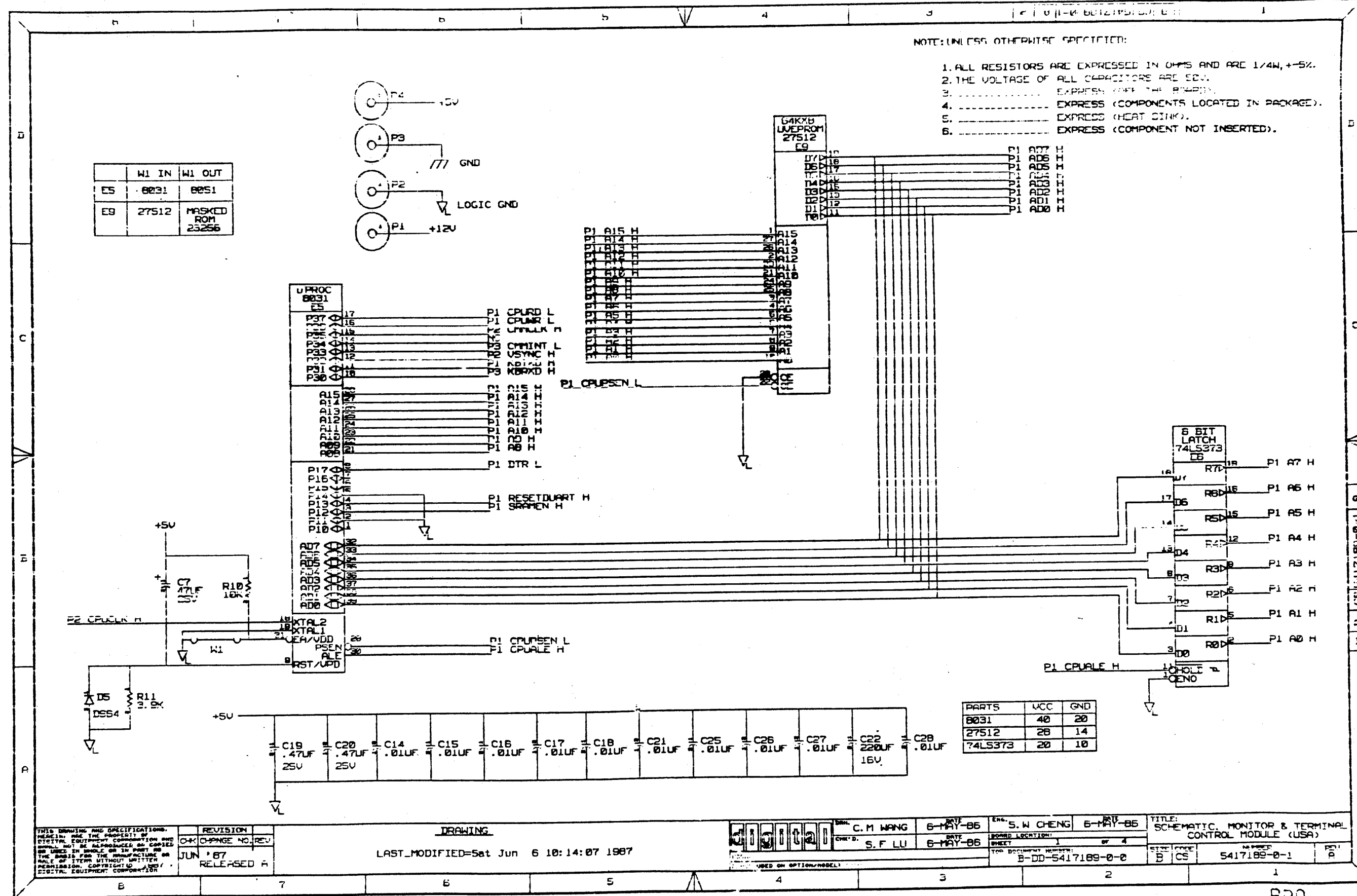
SEE NOTE 2

REVISION HISTORY		
DATE	ECO NUMBER	REV.

EQUIPMENT LABEL			
UNIT	DATE	REV.	REV.
E	A	VT320-D-CBU	A
DATE	TITLE	REV.	REV.
	UNIT ASSY		



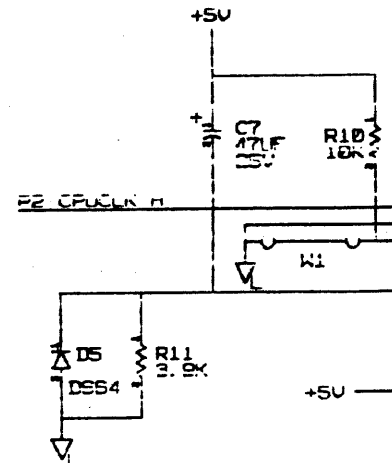
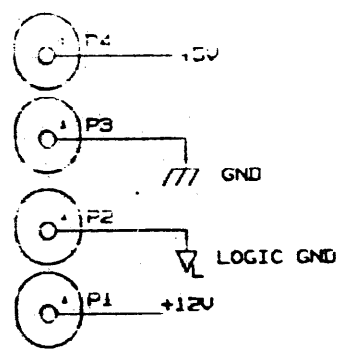




NOTE: UNLESS OTHERWISE SPECIFIED:

1. ALL RESISTORS ARE EXPRESSED IN OHMS AND ARE 1/4W, +/-5%.
2. THE VOLTAGE OF ALL CAPACITORS ARE EDV.
3. .... EXPRESS (OFF THE BOARD).
4. .... EXPRESS (COMPONENTS LOCATED IN PACKAGE).
5. .... EXPRESS (HEAT SINK).
6. .... EXPRESS (COMPONENT NOT INSERTED).

	W1 IN	W1 OUT
E5	8031	8051
E9	27512	MASKED ROM 23256



PARTS	WCC	GND
8031	40	20
27512	26	14
74LS373	20	10

THIS DRAWING AND SPECIFICATIONS ARE THE PROPERTY OF DIGITAL EQUIPMENT CORPORATION AND SHALL NOT BE REPRODUCED OR COPIED OR USED IN WHOLE OR IN PART AS THE BASIS FOR THE MANUFACTURE OR SALE OF ITEMS WITHOUT WRITTEN PERMISSION. COPYRIGHT © 1987 DIGITAL EQUIPMENT CORPORATION

REVISION	CHANGE NO.	REV
JUN '87		RELEASED A

DRAWING  
LAST\_MODIFIED=Sat Jun 6 10:14:07 1987



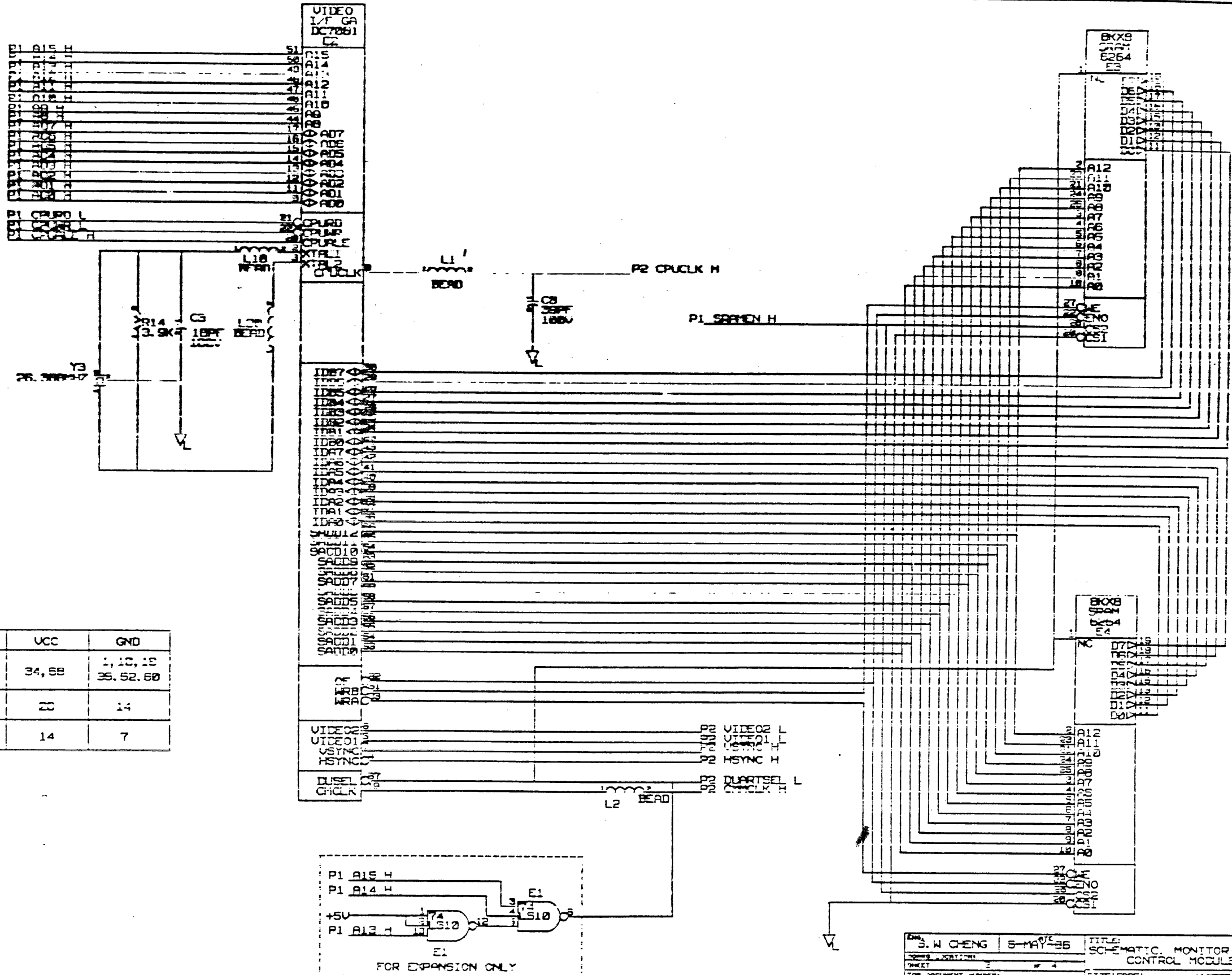
DESIGNER	DATE	ENGR.	DATE
C. M. WANG	6-MAY-85	S. W. CHENG	6-MAY-85
S. F. LU	6-MAY-85		

TITLE	SIZE	NO. SHEETS
SCHEMATIC, MONITOR & TERMINAL CONTROL MODULE (USA)	B	CS

CS 5417189-0-1 A

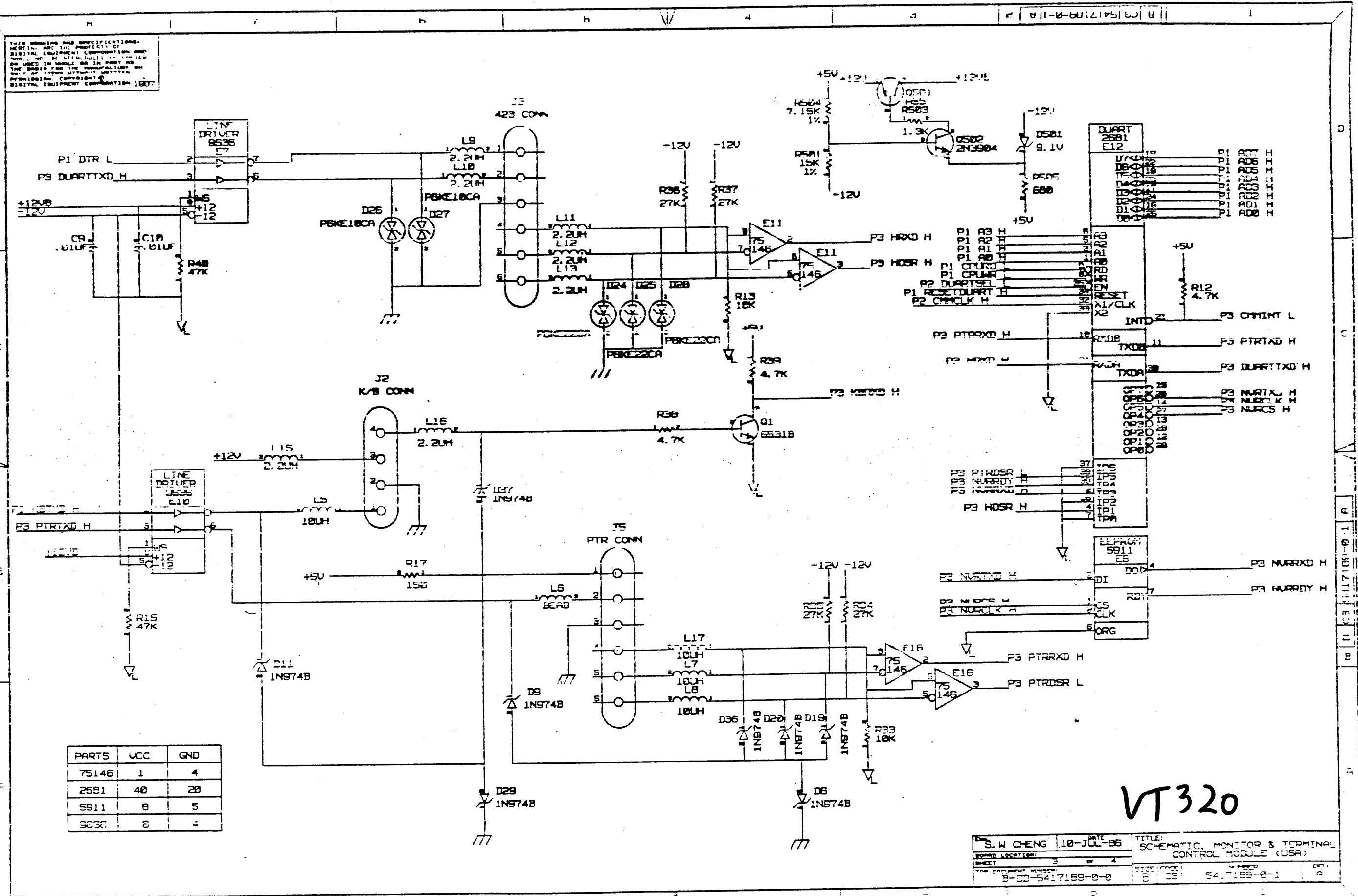
THIS DRAWING AND SPECIFICATIONS, HEREIN, ARE THE PROPERTY OF DIGITAL EQUIPMENT CORPORATION AND SHALL NOT BE REPRODUCED OR USED IN WHOLE OR IN PART AS THE BASIS FOR THE MANUFACTURE OF ANY EQUIPMENT WITHOUT THE WRITTEN PERMISSION OF DIGITAL EQUIPMENT CORPORATION.

PARTS	UCC	GND
DC7881	34, 58	1, 10, 15 35, 52, 60
8204	20	14
74LS10	14	7



DRG: S. W. CHENG 6-MAY-85 TITLE: SCHEMATIC, MONITOR & TERMINAL CONTROL MODULE (USA)  
 SHEET: 1 OF 4  
 DATE: 85-05-06  
 REV: 1  
 PART: 5417188-3-1

THIS DRAWING AND SPECIFICATIONS ARE THE PROPERTY OF DIGITAL EQUIPMENT CORPORATION AND SHALL NOT BE REPRODUCED OR USED IN WHOLE OR IN PART AS THE BASIS FOR THE MANUFACTURE OR REVISION OF ANY PRODUCT WITHOUT THE WRITTEN PERMISSION OF DIGITAL EQUIPMENT CORPORATION 1987.



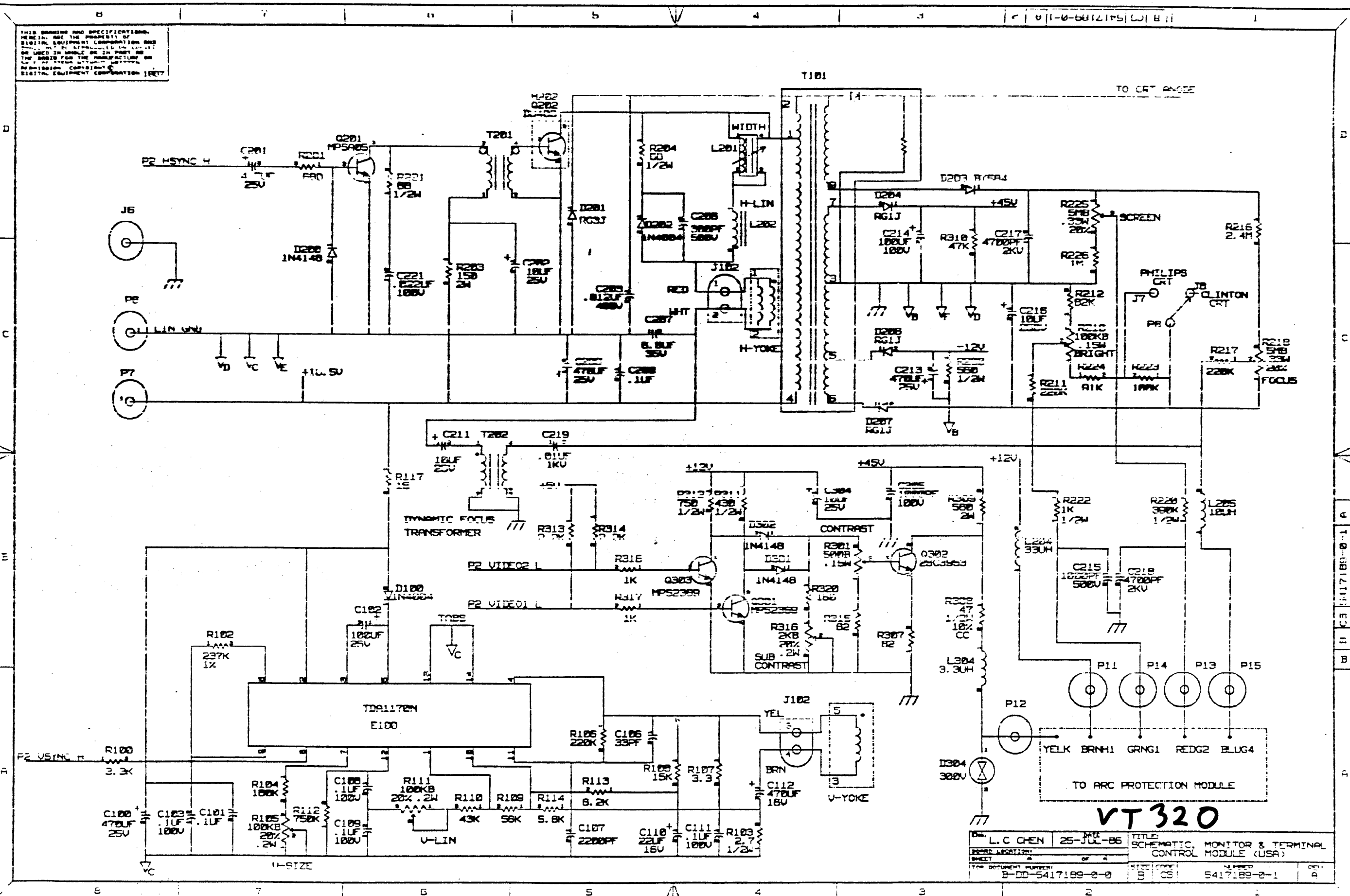
PARTS	UCC	GND
75146	1	4
2681	40	20
5911	8	5
933C	8	4

VT320

DATE: 10-JUL-85  
 TITLE: SCHEMATIC, MONITOR & TERMINAL CONTROL MODULE (USA)  
 DESIGNED BY: S.W. CHENG  
 CHECKED BY: [blank]  
 DRAWN BY: [blank]  
 APPR'D BY: [blank]  
 PARTS LIST: [blank]  
 REVISIONS: [blank]

THIS DRAWING AND SPECIFICATIONS ARE THE PROPERTY OF DIGITAL EQUIPMENT CORPORATION AND SHALL NOT BE REPRODUCED OR USED IN WHOLE OR IN PART OR IN ANY MANNER WITHOUT THE WRITTEN PERMISSION OF DIGITAL EQUIPMENT CORPORATION 1977

01-0-0017189-0-1

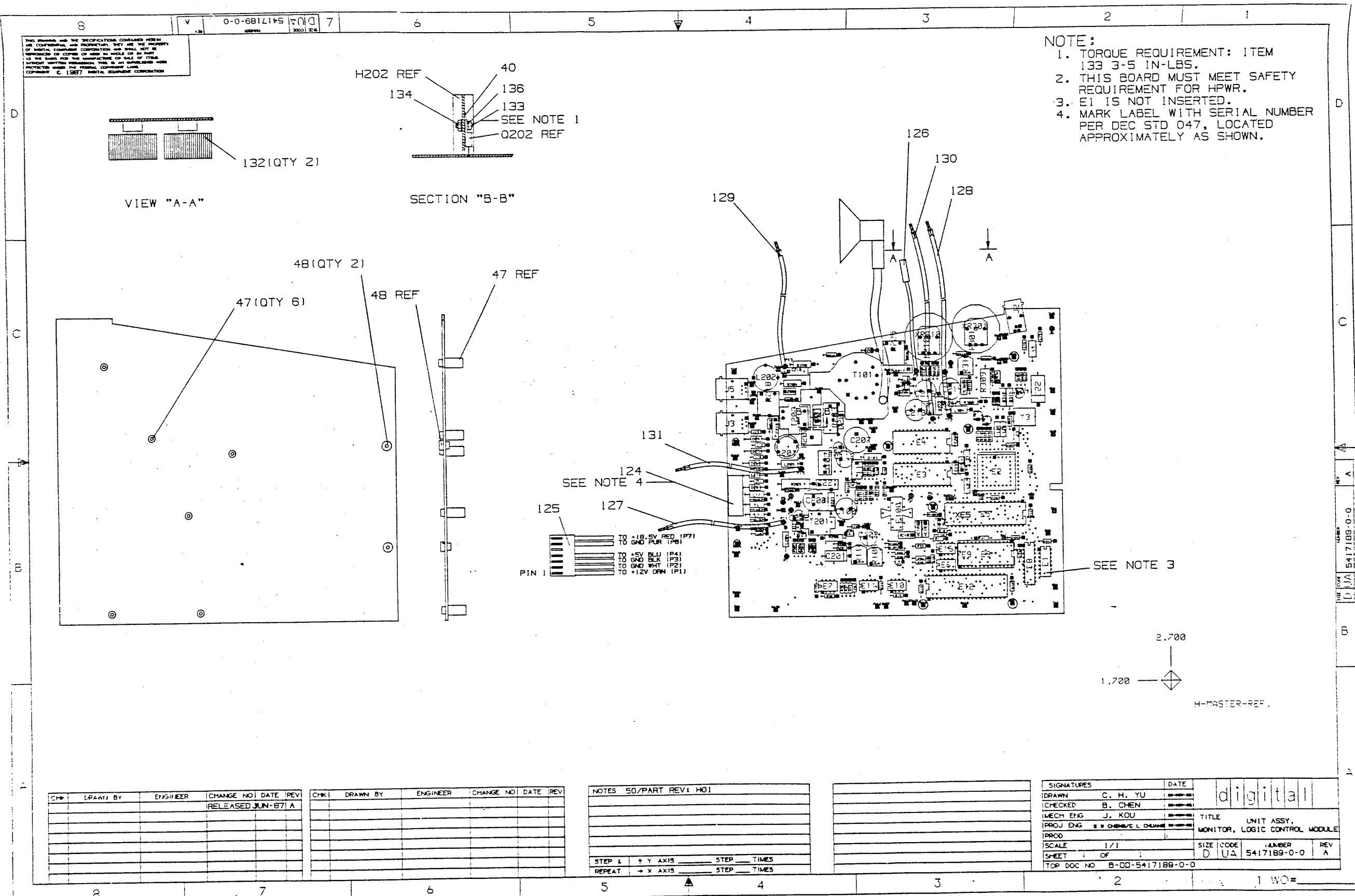


VT320

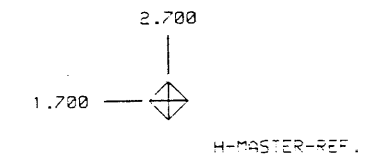
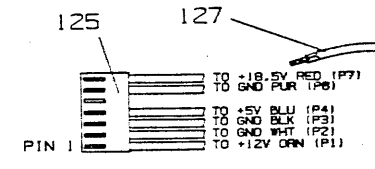
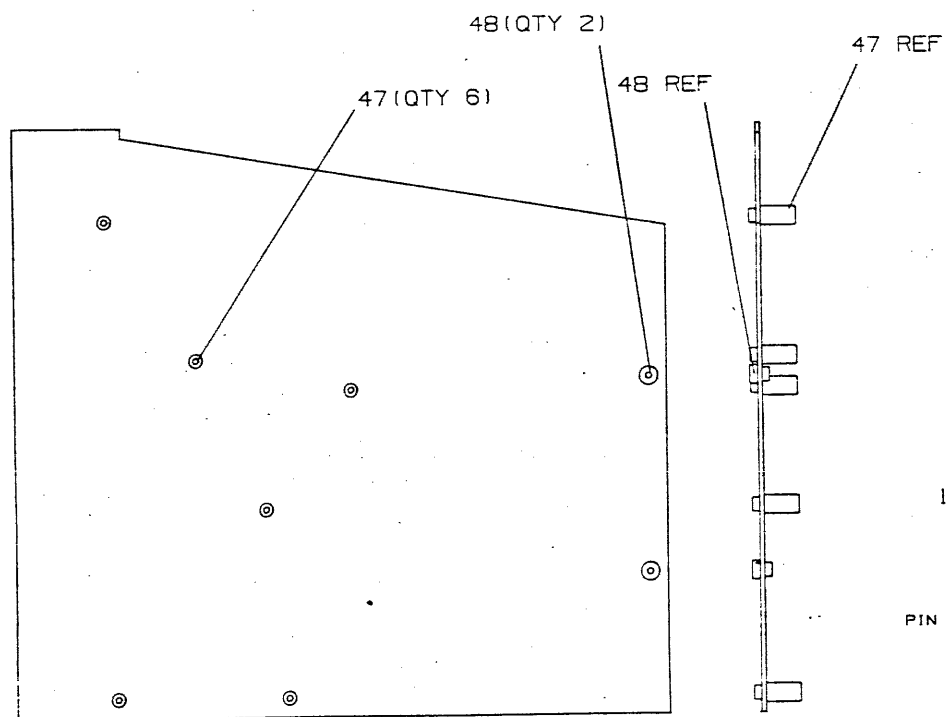
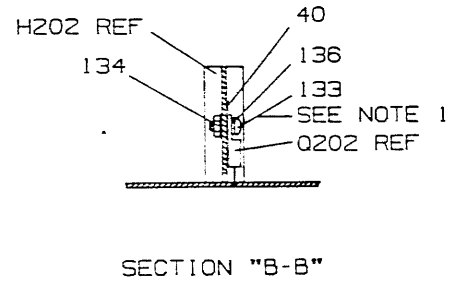
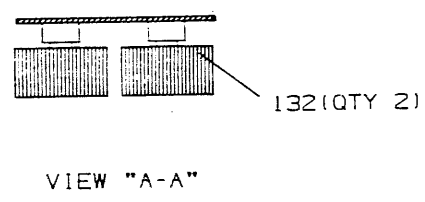
Des:	L. C. CHEN	DATE:	25-JUL-86	TITLE:	SCHEMATIC, MONITOR & TERMINAL CONTROL MODULE (USA)
DRWING LOCATION:		SHEET:	1	SIZE:	B
DOC. NO.:	01-0-0017189-0-0	REV.:	CS	AS SHOWN:	5417189-0-1
				CELL:	A

THIS DRAWING AND THE SPECIFICATIONS CONTAINED HEREIN ARE CONFIDENTIAL AND PROPRIETARY. THEY ARE THE PROPERTY OF BENTON, COPPING CORPORATION AND SHALL NOT BE REPRODUCED OR COPIED IN WHOLE OR IN PART AS THE BASIS FOR THE MANUFACTURE OR SALE OF ITEMS WITHOUT WRITTEN PERMISSION. THIS IS AN UNCLASSIFIED WORK PROTECTED UNDER THE FEDERAL COPYRIGHT LAW. COPYRIGHT © 1987 BENTON, COPPING CORPORATION

0-0-5417189-0-0



- NOTE:
1. TORQUE REQUIREMENT: ITEM 133 3-5 IN-LBS.
  2. THIS BOARD MUST MEET SAFETY REQUIREMENT FOR HPWR.
  3. E1 IS NOT INSERTED.
  4. MARK LABEL WITH SERIAL NUMBER PER DEC STD 047, LOCATED APPROXIMATELY AS SHOWN.



CHK#	DRAWN BY	ENGINEER	CHANGE NO	DATE	REV

CHK#	DRAWN BY	ENGINEER	CHANGE NO	DATE	REV

STEP #	Y AXIS	STEP	TIMES

NOTES	SO/PART REV	HOJ

SIGNATURES	DATE	TITLE
DRAWN C. H. YU		
CHECKED B. CHEN		
MECH ENG J. KOU		
PROJ ENG S. CHEN		
PROD		
SCALE 1/1		
SHEET 1 OF 1		
TOP DOC NO B-DD-5417189-0-0		

VT320

LINE	ITEM	TOP DOCUMENT	PART NUMBER	MIN REV	DESCRIPTION	QTY PER VAR/REV	REFERENCE DESIGNATORS
						01 A1	
1	1	B-DD-5017188-0-0	50-17188-01	H	CIRCUIT DRILL & ETCH	1	
2	2		10-00010-00		39 PFD 100V +/- 5% 200PP	1	C8
3	3		10-01610-00		0.010MFD 50V +80/-20% Z5U C	12	C9,C10,C14-C18,C21,C25-C28
4	4		10-02608-00		18 PFD 100V +/- 5% 200PP	1	C3
5	5		10-10279-01		0.47 MFD 25V +/-20% Z5U C	2	C19,C20
6	6		10-13466-04		33 PFD 50V +/- 5% NP0 C	1	C106
7	7		10-13466-12		2200 PFD 50V +/-10% X7R C	1	C107
8	8		10-13466-22		0.10 MFD 50V +80/-20% Z5U C	2	C101,C209
9	9		10-16544-00		0.10 MFD 100V +/-10% MYLAR	1	C111
10	10		10-16553-00		4.7 MFD 25V +75/-10% ALU	1	C201
11	11		10-16570-00		1000 PFD 500V +80/-20% X5S/Z	1	C215
12	12		10-16572-00		300 PFD 500V +/-10% X5F/X	1	C206
13	13		10-18000-15		10 MFD 250V +50/-20% ALU	1	C216
14	14		10-18000-17		470 MFD 25V +50/-20% ALU	3	C100,C208,C213
15	15		10-18000-29		10 MFD 25V +75/-20% ALU	3	C202,C211,C304
16	16		10-18000-31		470 MFD 16V +50/-20% ALU	1	C112
17	17		10-18000-33		100 MFD 25V +50/-20% ALU	1	C102
18	18		10-18000-34		100 MFD 100V +50/-20% ALU	1	C214
19	19		10-18000-40		47 MFD 25V +/-20% ALU	1	C7
20	20		10-19559-02		0.010MFD 1000V +/-20% Y5U/Z	1	C219
21	21		10-20446-12		220 MFD 16V +50/-10% ALU	1	C22
22	22		10-20604-03		0.10 MFD 100V +/- 5% MET.	3	C103,C108,C109
23	23		10-21480-07		0.012MFD 400V +/- 5% POLYP	1	C203
24	24		10-22087-01		1000 PFD 100V +/-20% Z5P	1	C305
25	25		10-23486-03		22 MFD 16V +/-20% ALU	1	C110
26	26		10-27656-01		0.022MFD 100V +/- 5% MET.	1	C221
27	27		10-28139-01		6.8 MFD 35V +/-20% ALU	1	C207
28	28		10-28377-01		4700 PFD 2000V +80/-20%	2	C217,C218
29	29		11-00114-00		PIV= 25 IO=135 MA	1	D5
30	30		11-05796-00		PIV= 400 IO= 1.00A 1N4004 D0-41	2	D100,D202
31	31		11-09990-00		VZ= 9.1 5% 400 MW 1N757A	1	D501
32	32		11-12594-02		PIV= 600 IO= 3.00A	1	D201

REVISION HISTORY		KPL MODULE FORMAT		SECTION A OF A		DRN: F LIU		DIGITAL	
ENG	ECO NUMBER	REV	SECTION/VARIATION INDEX	CHK'D:	DATE:	TITLE	DOCUMENT NUMBER	SIZE	CODE
---	INITIAL	A	[A] 01 [M]	B CHEN	20-NOV-86	MONITOR, LOGIC CONTROL MODULE			
			[B] [N]	LC CHEN	20-NOV-86				
			[C] [P]	CL CHUANG	20-NOV-86				
			[D] [Q]	G. CHRISTIANSEN	09-JUN-87				
			[E] [R]						
			[F] [S]						
			[H] [T]						
			[J] [V]						
			[K] [W]						
			[L] [Y]						
		BASIC PART NUMBER:		ASSEMBLY NUMBER:		TOP DOCUMENT NUMBER:		FILE NAME:	
		5417189		D-UA-5417189-0-0		B-DD-5417189-0-0		MLA0776A.PLS	
								EDIT #	
								20	

"THIS DRAWING AND THE SPECIFICATIONS CONTAINED HEREIN ARE CONFIDENTIAL AND PROPRIETARY. THEY ARE THE PROPERTY OF DIGITAL EQUIPMENT CORPORATION AND SHALL NOT BE REPRODUCED OR COPIED OR USED IN WHOLE OR IN PART AS THE BASIS FOR THE MANUFACTURE OR SALE OF ANYTHING WITHOUT WRITTEN PERMISSION. THIS IS AN UNPUBLISHED WORK PROTECTED UNDER THE FEDERAL COPYRIGHT LAWS."

LINE	ITEM	TOP DOCUMENT	PART NUMBER	MIN REV	DESCRIPTION	QTY	PER VAR/REV	REFERENCE DESIGNATORS
						01		
						A1		
33	33		11-12595-02		PIV= 600 IO= 1.00A AXIAL	3		D204,D206,D207
34	34		11-16475-00		PIV= 75 - 4NS 1N4148	3		D200,D301,D302
35	35		11-21531-01		PIV=1500 IO= 60MA	1		D203
36	36		11-24037-01		VZ= 36.0 5% 400 MW 1N9748 DO-35	8		D6,D9,D11,D19,D20,D29,D36,D37
37	37	SEE NOTE 1	11-26743-01		TRANS SUPP 600W 10V +/-	2		D26,D27
38	38	SEE NOTE 2	11-26743-02		TRANS SUPP 600W 22V +/-	3		D24,D25,D28
39	39		11-27611-01		DIA SURGE ABSORBER 300V +/-15%	1		D304
40	40		12-13071-06		INSULATOR,RUBBER SILICONE	1		
41	41		12-13921-11		HEAT SINK,EXTRUSION 1.380X1.50	1		H202
42	42		12-15006-07		SKT,IC 28PIN DIP TIN SOLD	1		XE9
43	43		12-15006-08		SKT,IC 40PIN DIP TIN SOLD	1		XE5
44	44		12-16521-00		PCB,HEADER 04PIN(1X04).156CC STR	1		J102
45	45		12-18826-07		CONN,PHONE JACK 04POS	1		J2
46	46		12-23433-02		CONN,LAN JACK 06 POS	2		J3,J5
47	47		12-28433-01		INSERT	6		
48	48		12-28433-02		INSERT	2		
49	49		12-28473-01		PCB HEADER PIN .06200 TIN	2		J7,J8
50	50		13-00250-00		150.0 .25 W 5.0 % CF	1		R17
51	51		13-00338-00		560.0 .50 W 5.0 % CF	1		R208
52	52		13-00354-00		750.0 .50 W 5.0 % CF	1		R312
53	53		13-00364-00		1.0 K .50 W 5.0 % CF	1		R222
54	54		13-00365-00		1.0 K .25 W 5.0 % CF	2		R317,R318
55	55		13-00417-00		2.20 K .25 W 5.0 % CF	2		R313,R314
56	56		13-00439-00		3.30 K .25 W 5.0 % CF	1		R100
57	57		13-00444-00		3.90 K .25 W 5.0 % CF	2		R11,R14
58	58		13-00447-00		4.70 K .25 W 5.0 % CF	3		R12,R38,R39
59	59		13-00479-00		10.0 K .25 W 5.0 % CF	3		R10,R13,R33
60	60		13-00496-00		15.0 K .25 W 5.0 % CF	1		R108
61	61		13-01322-00		180.0 .25 W 5.0 % CF	1		R320
62	62		13-01421-00		15.0 .25 W 5.0 % CF	1		R117
63	63		13-01424-00		680.0 .25 W 5.0 % CF	2		R201,R505
64	64		13-01477-00		82.0 .25 W 5.0 % CF	2		R307,R315
65	65		13-01874-00		5.60 K .25 W 5.0 % CF	1		R114
66	66		13-02092-00		220.0 K .25 W 5.0 % CF	3		R106,R211,R217
67	67		13-02177-00		47.0 K .25 W 5.0 % CF	3		R15,R40,R310
68	68		13-02395-00		56.0 K .25 W 5.0 % CF	1		R109
69	69		13-02397-00		180.0 K .25 W 5.0 % CF	1		R104
70	70		13-02466-00		100.0 K .25 W 5.0 % CF	1		R223
71	71		13-03219-00		82.0 K .25 W 5.0 % CF	1		R212
72	72		13-04838-00		43.0 K .25 W 5.0 % CF	1		R110
73	73		13-05253-00		7.15 K .25 W 1.0 % RN55D-F10	1		R504
74	74		13-05346-00		27.0 K .25 W 5.0 % CF	4		R34-R37
75	75		13-09405-00		68.0 .50 W 5.0 % CF	2		R204,R221
76	76		13-09595-00		1.0 M .25 W 5.0 % CF	1		R226
77	77		13-12931-00		6.20 K .25 W 5.0 % CF	1		R113
78	78		13-13752-00		15.0 K .25 W 1.0 % RN55D-F10	1		R501
79	79		13-14650-00		91.0 K .25 W 5.0 % CF	1		R224
80	80		13-14954-00		430.0 .50 W 5.0 % CF	1		R311
81	81		13-15437-00		237.0 K .25 W 1.0 % RN55D-F10	1		R102
82	82		13-16441-00		2.40 M .25 W 5.0 % CF	1		R216

D	I	G	I	T	A	L	TITLE	SECTION A OF A	SIZE	CODE	DOCUMENT NUMBER	REV
							MONITOR, LOGIC CONTROL MODULE		K	PL	5417189-0-08P	A

LINE	ITEM	TOP DOCUMENT	PART NUMBER	MIN REV	DESCRIPTION	QTY PER VAR/REV	REFERENCE DESIGNATORS
						01 A1	
83	83		13-16507-00	2.70	.50 W 5.0 % CF	1	R103
84	84		13-19242-00	750.0 K	.25 W 5.0 % CF	1	R112
85	85		13-19471-16	150.0	2.0 W 5.0 % M.OXIDE	1	R203
86	86		13-19471-25	560.0	2.0 W 5.0 % M.OXIDE	1	R309
87	87		13-19563-01		POT-OPEN/TRIM 5.0M 0.33W 20.0	2	R218,R225
88	88		13-20608-01	3.30	.25 W 5.0 % CF	1	R107
89	89		13-20632-01	1.30 K	.25 W 5.0 % CF	1	R503
90	90		13-20713-01	390.0 K	.50 W 5.0 % CF	1	R220
91	91		13-27943-02		POT-OPEN/TRIM 100.0K 0.15W 20.0	1	R210
92	92		13-27943-03		POT-OPEN/TRIM 500.0 0.15W 20.0	1	R301
93	93		13-28026-01		POT-OPEN/TRIM 2.0K 0.2 W 20.0	1	R316
94	94		13-28026-03		POT-OPEN/TRIM 100.0K 0.2 W 20.0	2	R105,R111
95	95		13-28450-01	47.0	.50 W 10.0 % CC	1	R308
96	96		15-09338-00		DEC6531B NPN 310MW SI 40 90 P	1	Q1
97	97		15-09524-00		2N 3904 NPN 310MW SI 40 40 M	1	Q502
98	98		15-10705-00		XA 05 NPN 500MW SI 60 50 P	1	Q201
99	99		15-10706-00		XA 55 PNP 500MW SI 60 50 P	1	Q501
100	100	SEE NOTE 3	15-20657-01		MPS2369 NPN 350MW 40V 200MA T	2	Q301,Q303
101	101		15-27609-01		BU406 NPN 400V 60W T0220	1	Q202
102	102		15-28392-01		TRANSISTOR,VIDEO OUTPUT	1	Q302
103	103		16-13898-01	33.0 UH	INDUCTOR	1	L204
104	104		16-18238-02		BEAD,FERRITE .1380DX.330LG	5	L1,L2,L6,L18,L20
105	105		16-21807-01		COIL,WIDTH,VARIABLE INDUCTOR	1	L201
106	106		16-27761-01	10.0 UH 10% Q= 55 @ 7.9MHZ	SRF=	5	L5,L7,L8,L17,L205
107	107		16-27975-01		XFR,FLYBACK,HI VOLT 18.9KHZ	1	T101
108	108		16-28226-01		CHOKER COIL 2.2UH 10%	7	L9-L13,L15,L16
109	109		16-28286-01		XFMR,HOR BUFFER	1	T201
110	110		16-28287-01		COIL,LINEARITY	1	L202
111	111		16-28364-01		XFMR,DYNAMIC FOCUS LP=15MH TURNS	1	T202
112	112		16-28365-01		CHOKER,RF COATED 3.3UH 10% Q=65@7	1	L304
113	113		18-28361-01		XTAL 26.366 MHZ	1	Y3
114	114		19-15219-00		LS373 FF-D OCTAL-TRANSPARE	1	E8
115	115		19-15415-00		9636 DRIVER,DUAL,EIA RS-4	2	E7,E10
116	116		19-27621-01		VERT DEFLECTION CHIP	1	E100
117	117		19-27782-01		DUAL LINE RECEIVER	2	E11,E16
118	118		21-20068-01		2631 REC./TRANS.,ASYNC.,D	1	E12
119	119		21-20115-02		8031AH MICROPROCESSOR,8BIT	1	E5
120	120		21-21384-03		RAM 8KX8,STATIC 120	2	E3,E4
121	121		21-27705-02		DC7081 CONTROLLER,VIDEO+RAM,420	1	E2
122	122		23-N4 -01	1024	EPROM	1	E6
123	123		23-47E7 -00	E7-01	UV	1	E9
124	124		36-18460-01		LABEL,BAR CODE BLANK .38 X1.5	1	
125	125	C-IA-7024307-0-DBU	70-24307-01 A		CONN/WIRE ASSY	1	
126	126	B-IA-7024576-0-DBU	70-24576-01 A		WIRE W/CONNECTOR	1	P8
127	127	B-IA-7024586-0-DBU	70-24586-01 A		WIRE W/PCB CRIMP	1	P11
128	128	B-IA-7024586-0-DBU	70-24586-02 A		WIRE W/PCB CRIMP	1	P12
129	129	B-IA-7024586-0-DBU	70-24586-03 A		WIRE W/PCB CRIMP	1	P13
130	130	B-IA-7024586-0-DBU	70-24586-04 A		WIRE W/PCB CRIMP	1	P14
131	131	B-IA-7024586-0-DBU	70-24586-05 A		WIRE W/PCB CRIMP	1	P15
132	132	C-MD-7434090-0-DBU	74-34090-01 A		THUMBWHEEL	2	



AUTOMATED BY VAXKPL (V1.3)

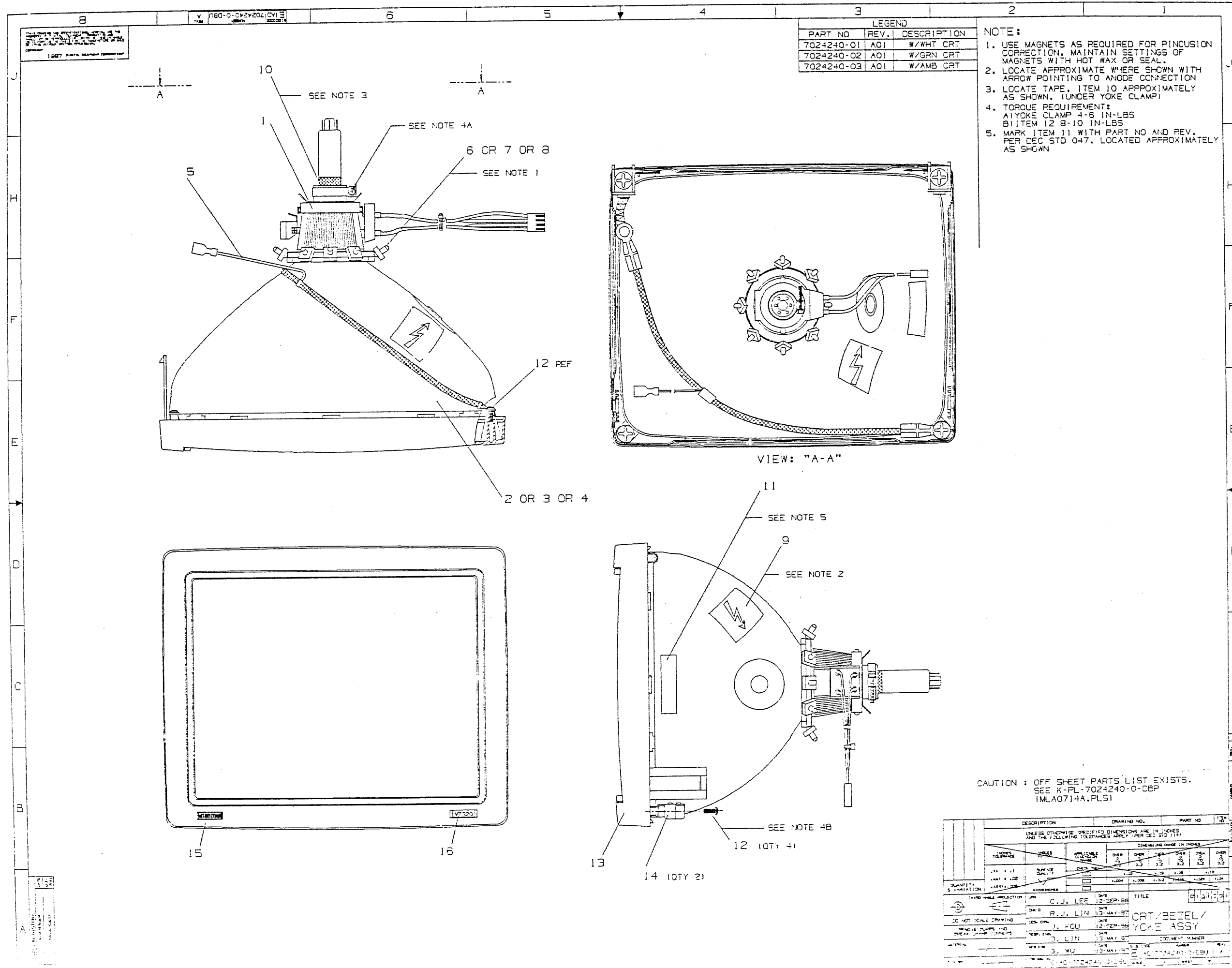
P A R T S L I S T

SHEET A4 OF A4

LINE ITEM	TOP DOCUMENT	PART NUMBER	MIN. REV	DESCRIPTION	QTY PER VAR/REV	REFERENCE DESIGNATORS
133	133	90-06010-01		SCREW,MACH PAN PHIL 4-	1	
134	134	90-06557-00		NUT,HEX EXT TOOTH LCKWSHR 4-40	1	
135	135	90-09185-00		JUMPER, WIRE, INSULATED, BLACK B	1	W1
136	136	90-10057-00		WASHER,SHOULDER INSULATG PPS	1	

1 GEN: 11-26743-01 CAN BE SUBSTITUTED BY 11-28275-01.  
2 GEN: 11-26743-02 CAN BE SUBSTITUTED BY 11-28275-02.  
3 GEN: 15-20957-01 CAN BE SUBSTITUTED BY 15-21002-01.

D	I	G	I	T	A	L	TITLE	SECTION A OF A	SIZE	CODE	DOCUMENT NUMBER	REV
							MONITOR, LOGIC CONTROL MODULE		K	PL	6417139-0-3BP	A



LEGEND		
PART NO	REV.	DESCRIPTION
7024240-01	A01	W/WHT CRT
7024240-02	A01	W/GRN CRT
7024240-03	A01	W/AMB CRT

- NOTE:**
- USE MAGNETS AS REQUIRED FOR PINCUSION CORRECTION, MAINTAIN SETTINGS OF MAGNETS WITH HOT WAX OR SEAL.
  - LOCATE APPROXIMATE WHERE SHOWN WITH ARROW POINTING TO ANODE CONNECTION AS SHOWN. (UNDER YOKE CLAMP)
  - LOCATE TAPE, ITEM 10 APPROXIMATELY AS SHOWN. (UNDER YOKE CLAMP)
  - TORQUE REQUIREMENT:  
A) YOKE CLAMP 4-6 IN-LBS  
B) ITEM 12 8-10 IN-LBS
  - MARK ITEM 11 WITH PART NO AND REV. PER DEC STD 047. LOCATED APPROXIMATELY AS SHOWN

VIEW: "A-A"

CAUTION : OFF SHEET PARTS LIST EXISTS.  
SEE K-PL-7024240-0-DBP  
IMLA0714A.PLS1

DESCRIPTION	DRAWING NO.	PART NO.
UNLESS OTHERWISE SPECIFIED DIMENSIONS ARE IN INCHES AND THE FOLLOWING TOLERANCES APPLY (PER DEC STD 019)		
		DIMENSIONS SHOWN IN INCHES
		OVER
		UNDER
		FRACTIONAL
		DECIMAL
		ANGLES
		PLACES
		THIRD ANGLE PROJECTION
DATE	BY	TITLE
12-SEP-58	C. J. LEE	CRT/BEZEL/YOKE ASSY
DATE	BY	TITLE
13-MAY-57	R. J. LIN	
DATE	BY	TITLE
12-SEP-58	J. HOU	
DATE	BY	TITLE
13-MAY-57	J. LIN	
DATE	BY	TITLE
13-MAY-57	S. MU	

LINE	ITEM	TOP DOCUMENT	PART NUMBER	MIN REV	DESCRIPTION	QUANTITY PER VARIATION/REVISION		
						01 A1	02 A1	03 A1
1	1		12-28258-01		YOKE,DEFLECTION 14"	1	1	1
2	2		12-28178-01		TUBE,CATHODE RAY (PAPER WHITE)	1	-	-
3	3		12-28178-02		TUBE,CATHODE RAY (GREEN)	-	1	-
4	4		12-28178-03		TUBE,CATHODE RAY (AMBER)	-	-	1
5	5	C-IA-7024537-0-DBU	70-24537-01	A	GROUND STRAP ASSY	1	1	1
6	6		12-23217-01		MAGNET,PINCUSHION 6.0 GAUSS	A/R	A/R	A/R
7	7		12-23217-02		MAGNET,PINCUSHION 8.5 GAUSS	A/R	A/R	A/R
8	8		12-23217-03		MAGNET,PINCUSHION 15.5 GAUSS	A/R	A/R	A/R
9	9		36-10267-00		LABEL,DANGER HIGH VOLTAGE,SMOOTH	1	1	1
10	10	SEE NOTE # 10	36-15670-01		TAPE,FIBGLAS ADH 1.0 WDX .007T	4	4	4
11	11		36-18460-03		LABEL,BAR CODE BLANK .90 X2.2	1	1	1
12	12		90-09800-08		SCREW,THD RL,PAN PHIL F/PLAS	4	4	4
13	13	E-MD-7434073-0-DBU	74-34073-01	A	BEZEL	1	1	1
14	14	B-MD-7435851-0-DBU	74-35851-01	A	ENCLOSURE,TAB	2	2	2
15	15	B-IA-7433851-0-DBU	74-33851-02	A	LOGO,DIGITAL	1	1	1
16	16	B-IA-7435733-0-DBU	74-35733-01	A	NAMEPLATE,VT320	1	1	1

10 NOTE: QTY FOR ITEM 10 IS IN INCHES.

REVISION HISTORY		KPL MATRIX FORMAT		SECTION A OF A	DRN: C.J. LEE	DIGITAL		
ENG	ECO NUMBER	REV	SECTION/VARIATION INDEX		DATE: 17-SEP-86	TITLE PARTS LIST		
---	INITIAL	A	[A] 01,02,03		CHK'D: R.J. LIN	CRT/BEZEL/YOKE ASSY		
			[B]		DATE: 14-MAY-87			
			[C]		DES.ENG: J. KUO			
			[D]		DATE: 17-SEP-86	DOCUMENT NUMBER		
			[E]			SIZE	CODE	NUMBER
			[F]		RESP.ENG.: O. LIN	K	PL	7024240-0-DBP
			[H]		DATE: 14-MAY-87	REV		
			[J]		MFG.ENG: GORDON WU	RELEASE DATE: 25-JUN-87		
					DATE: 11-JUN-87	RELEASE STATUS: RELEASED		
		BASIC PART NUMBER:		ASSEMBLY NUMBER:	TOP DOCUMENT NUMBER:	FILE NAME:		EDIT #
		7024240		E-AD-7024240-0-DBU	E-AD-7024240-0-DBU	MLA0714A.PLS		16

"THIS DRAWING AND THE SPECIFICATIONS CONTAINED HEREIN ARE CONFIDENTIAL AND PROPRIETARY. THEY ARE THE PROPERTY OF DIGITAL EQUIPMENT CORPORATION AND SHALL NOT BE REPRODUCED OR COPIED OR USED IN WHOLE OR IN PART AS THE BASIS FOR THE MANUFACTURE OR SALE OF ITEMS WITHOUT WRITTEN PERMISSION. THIS IS AN UNPUBLISHED WORK PROTECTED UNDER THE FEDERAL COPYRIGHT LAWS."

DRAWING NO.	NO. OF SHTS.	PART NO.	DESCRIPTION	REVISIONS													
				1	2	3	4	5	6	7	8	9	10	11	12		
		54-17191-01	POWER SUPPLY MODULE	A1													
D-UA-5417191-0-0	1		UNIT ASSY	A													
B-CS-5417191-0-1	1		SCHEMATIC	A													
K-PL-5417191-0-02P	2		PARTS LIST	A													
K-PC-5417191-0-03V	1		P.C. DESIGN DATA BASE	A													
K-CS-5417191-0-03X	1		VALID DATA BASE	A													
		50-17190-01	ETCH CIRCUIT BOARD	H01													
B-DD-5017190-0-0	1		DRAWING DIRECTORY	A													

NOTES:

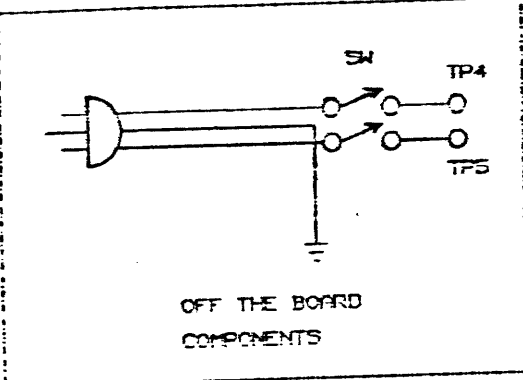
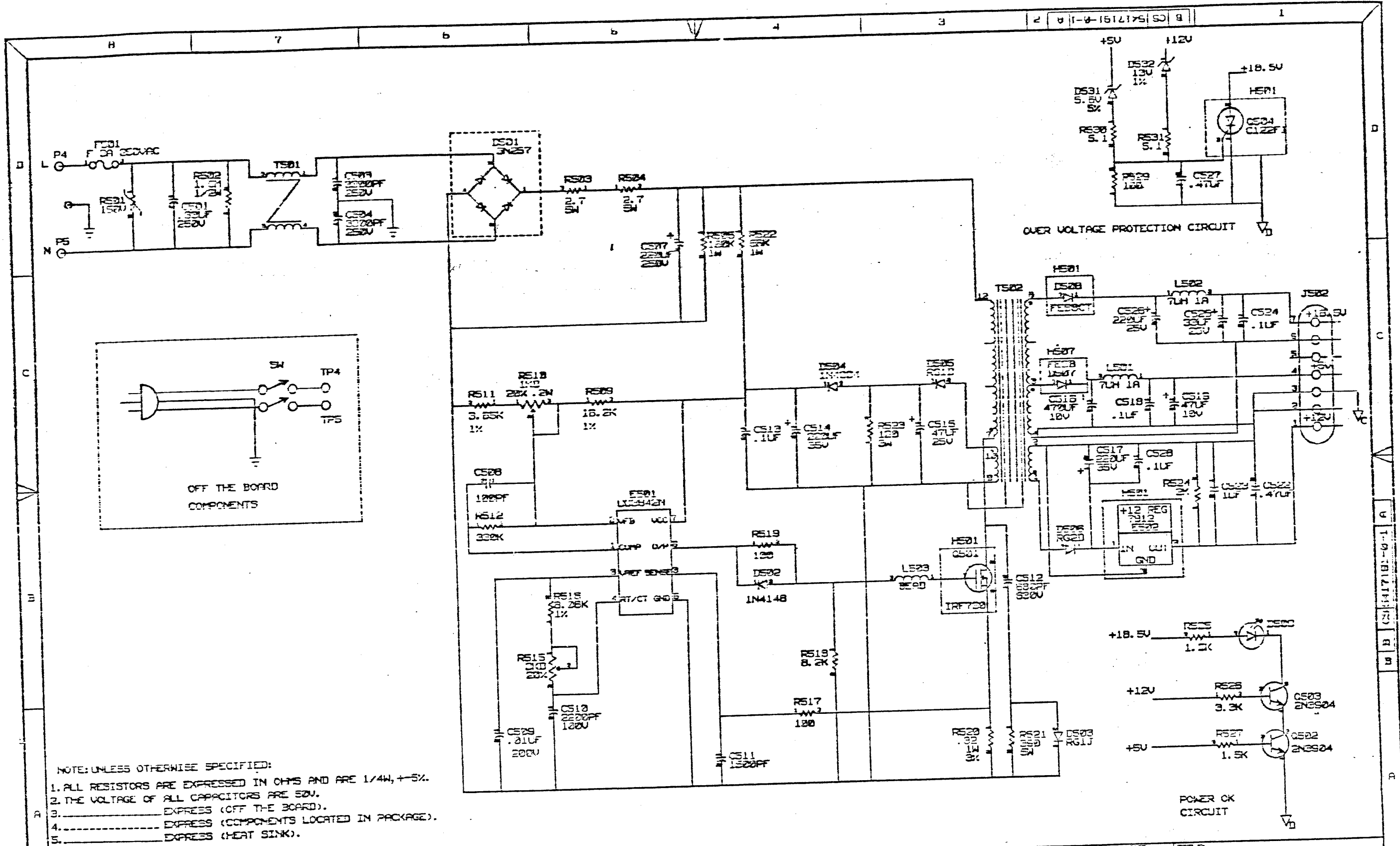
REVISION HISTORY	DATE	LOG NO.	REV.	A
	JUN '87			RELEASED

THIS DRAWING AND THE SPECIFICATIONS CONTAINED HEREIN ARE CONFIDENTIAL AND PROPRIETARY. THEY ARE THE PROPERTY OF DIGITAL EQUIPMENT CORPORATION AND SHALL NOT BE REPRODUCED OR COPIED OR USED IN WHOLE OR IN PARTS AS THE BASIS FOR THE MANUFACTURE OR SALES OF ITEMS WITHOUT WRITTEN PERMISSION. THIS IS AN UNPUBLISHED WORK PROTECTED UNDER THE FEDERAL COPYRIGHT LAWS.

DES. F. LIU	DATE 20-NOV-88	TITLE	DWG DIR, POWER SUPPLY MODULE	
CHK'D B. CHEN	DATE 20-NOV-88	DOCUMENT NUMBER		
DES. DES. V. LIN	DATE 20-NOV-88	JTS	ISS	NUMBER
REP. DES. J. S. LO	DATE 20-NOV-88	B	DD	5417191-0-0
APP. DES. G. CHRISTIANSEN	DATE 19-NOV-87	SHEET		I OF I

1987

BPO



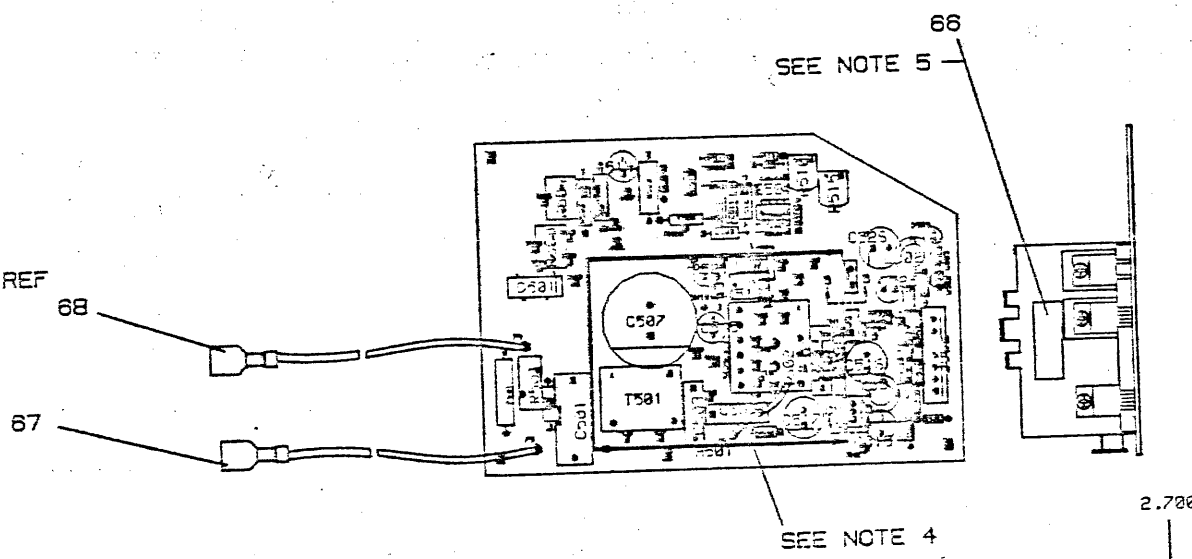
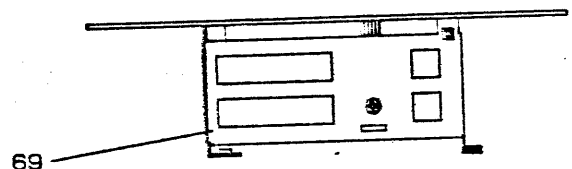
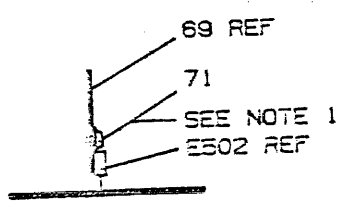
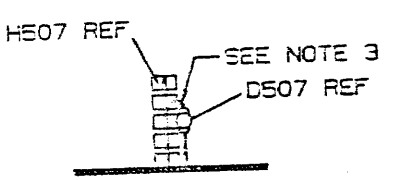
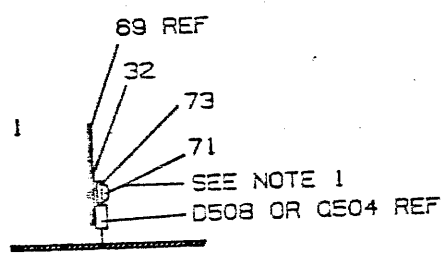
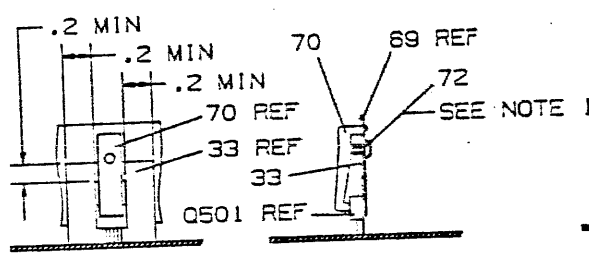
- NOTE: UNLESS OTHERWISE SPECIFIED:
1. ALL RESISTORS ARE EXPRESSED IN OHMS AND ARE 1/4W, +5%.
  2. THE VOLTAGE OF ALL CAPACITORS ARE 50V.
  3. \_\_\_\_\_ EXPRESS (OFF THE BOARD).
  4. \_\_\_\_\_ EXPRESS (COMPONENTS LOCATED IN PACKAGE).
  5. \_\_\_\_\_ EXPRESS (HEAT SINK).

REVISION JUN '37 RELEASED A		DRAWING LAST_MODIFIED=Thu Jun 4 11:42:26 1987		C. M. WONG 24-JUL-85 3.7 LU		Victor Lin 24-JUL-85		TITLE SCHEMATIC, POWER SUPPLY MODEL (USA)		NUMBER 5417191-3-1		REV. A	
--------------------------------	--	--	--	-----------------------------------	--	-------------------------	--	---	--	-----------------------	--	-----------	--

BPO

ALL DIMENSIONS ARE UNLESS OTHERWISE SPECIFIED IN INCHES. DIMENSIONS IN PARENTHESES ARE FOR INFORMATION ONLY. DIMENSIONS IN PARENTHESES ARE FOR INFORMATION ONLY. DIMENSIONS IN PARENTHESES ARE FOR INFORMATION ONLY.

- NOTE:**
1. TORQUE REQUIREMENT: ITEMS 71 & 72 3-5 IN-LBS.
  2. THIS BOARD MUST MEET SAFETY REQUIREMENT FOR HPWR.
  3. LEAD OF D507 PIN 1 AS SHORT AS POSSIBLE.
  4. SOLDER GROUNDING WIRE OF T502 TO P8(GND HOLE).
  5. MARK LABEL WITH SERIAL NUMBER PER DEC STD 047, LOCATED APPROXIMATELY AS SHOWN.



H-MASTER-REF.

CHK	DRAWN BY	ENGINEER	CHANGE NO	DATE	REV

CHK	DRAWN BY	ENGINEER	CHANGE NO	DATE	REV

STEP	BY	DATE	STEP	TIMES

SIGNATURES	DATE

DRAWN		DATE		digital	
CHKD	BY	DATE	TITLE	UNIT ASSY.	
MECH ENG	J. KOU		POWER SUPPLY MODULE		
PROJ ENG	J. E. LO				
SCALE	1/1	SIZE	CODE	NUMBER	REV
SHEET	1 OF 1	D	UA	5417191-0-0	A
TOP DOC NO	3-00-5417191-0-0	BPO	1	WO#	

5417191-0-0  
 D J A  
 B  
 A

LINE	ITEM	TOP DOCUMENT	PART NUMBER	MIN REV	DESCRIPTION	QTY PER VAR/REV	REFERENCE DESIGNATORS
						01 A1	
1	1	B-DD-5017190-0-0	50-17190-01	H	CIRCUIT DRILL & ETCH	1	
2	2		10-10274-02		1.0 MFD 50V +80/-20% Z5U C	1	C523
3	3		10-10978-60		0.10 MFD 50V +/-10% X7R C	3	C513,C518,C524
4	4		10-12312-01		0.47 MFD 50V +80/-20% Z5U C	2	C522,C527
5	5		10-13466-06		100 PFD 50V +/- 5% NP0 C	1	C508
6	6		10-13466-22		0.10 MFD 50V +80/-20% Z5U C	1	C528
7	7		10-13466-29		1500 PFD 50V +/- 5% NP0 C	1	C511
8	8		10-16639-00		0.010MFD 200V +/-10% MYLAR	1	C509
9	9		10-19413-06		220 MFD 250V +50/-20% ALU	1	C507
10	10		10-21480-08		680 PFD 630V +/-20% POLYP	1	C512
11	11		10-22398-01		470 MFD 10V +/-20% ALU	1	C516
12	12		10-24317-01		0.33 MFD 250VAC +/-20% LIN	1	C501
13	13		10-24375-02		3300 PFD 250VAC +/-20% LIN	2	C503,C504
14	14		10-24422-01		220 MFD 35V +/-20% ALU	1	C514
15	15		10-26456-01		2200 PFD 100V +/- 1% POLYPR	1	C510
16	16		10-27912-01		47 MFD 25 +/-20% ALU	1	C515
17	17		10-27942-01		220 MFD 25V +/-20% ALU	1	C526
18	18		10-27955-01		33 MFD 25V +/-20% ALU	1	C525
19	19		10-28104-01		47 MFD IPV +/-20% ALU	1	C519
20	20		10-28114-01		220 MFD 35V +/-20% ALU	1	C517
21	21		11-02808-00		VZ= 5.6 5% 400 MW 1N752A	1	D531
22	22		11-05796-00		PIV= 400 IO= 1.00A 1N4004 DO-41	1	D504
23	23		11-12595-01		PIV= 200 IO= 1.00A AXIAL	1	D505
24	24		11-12595-02		PIV= 600 IO= 1.00A AXIAL	1	D503
25	25		11-14384-00		LED 105MW 35MA GREEN	1	D509
26	26		11-16475-00		PIV= 75 - 4NS 1N4148	1	D502
27	27		11-17490-00		RECT,ULTRA FAST PIV= 150 IO= 8.0	1	D508
28	28		11-18411-00		VZ= 13.0 1% 500 MW 1N5243	1	D532
29	29		11-21435-01		RECT. ASSY PIV= 600 IO= 2.00A	1	D501
30	30		11-25363-04		RECT,ULTRA FAST PIV=200 IO= 2.0A	1	D506
31	31		11-28186-01		PIV= 100 IO= 3.0 A 35NS	1	D507
32	32		12-13071-06		INSULATOR,RUBBER SILICONE	2	

REVISION HISTORY		KPL MODULE FORMAT		SECTION A OF A		DRN: F. LIU		DIGITAL	
ENG	ECO NUMBER	REV	SECTION/VARIATION INDEX		DATE: 20-NOV-86		TITLE PARTS LIST		
---	INITIAL	A	[A]	01	[M]	CHK'D: B. CHEN		POWER SUPPLY MODULE	
			[B]		[N]	DATE: 20-NOV-86			
			[C]		[P]	DES.ENG: V. LIN		DOCUMENT NUMBER	
			[D]		[Q]	DATE: 20-NOV-86		SIZE	CODE
			[E]		[R]	RESP.ENG.: J. B. LO		K	PL
			[F]		[S]	DATE: 20-NOV-86		5417191-0-DBP	
			[H]		[T]	MFG.ENG: G. CHRISTIANSEN		A	
			[J]		[V]	DATE: 09-JUN-87		RELEASE DATE: 17-JUN-87	
			[K]		[W]	RELEASE STATUS: RELEASED			
			[L]		[Y]				
BASIC PART NUMBER:			ASSEMBLY NUMBER:			TOP DOCUMENT NUMBER:			FILE NAME:
5417191			D-UA-5417191-0-0			B-DD-5417191-0-0			MLA0777A.PLS
								EDIT #	19

"THIS DRAWING AND THE SPECIFICATIONS CONTAINED HEREIN ARE CONFIDENTIAL AND PROPRIETARY. THEY ARE THE PROPERTY OF DIGITAL EQUIPMENT CORPORATION AND SHALL NOT BE REPRODUCED OR COPIED OR USED IN WHOLE OR IN PART AS THE BASIS FOR THE MANUFACTURE OR SALE OF ITEMS WITHOUT WRITTEN PERMISSION. THIS IS AN UNPUBLISHED WORK PROTECTED UNDER THE FEDERAL COPYRIGHT LAWS."

LINE	ITEM	TOP DOCUMENT	PART NUMBER	MIN REV	DESCRIPTION	QTY PER VAR/REV	REFERENCE DESIGNATORS
						01 A1	
33	33		12-13071-22		INSULATOR,RUBBER SILICONE	1	
34	34		12-15228-03		HEAT SINKS,TO-220 1.250X0.87	1	H507
35	35		12-28096-01		FUSE,5X20 3.0 A 250V AXIAL LEA	1	F501
36	36		12-28477-01		PCB HEADER 07PIN(1X07).156CC STR	1	J502
37	37		13-00229-00		100.0 .25 W 5.0 % CF	3	R517,R519,R529
38	38		13-00391-00		1.50 K .25 W 5.0 % CF	2	R525,R527
39	39		13-00439-00		3.30 K .25 W 5.0 % CF	1	R526
40	40		13-02091-00		330.0 K .25 W 5.0 % CF	1	R512
41	41		13-02388-00		2.0 K .25 W 5.0 % CF	1	R524
42	42		13-03179-00		8.20 K .25 W 5.0 % CF	1	R518
43	43		13-05337-00		3.65 K .25 W 1.0 % RN55D-F10	1	R511
44	44		13-09412-00		18.20 K .25 W 1.0 % RN55D-F10	1	R509
45	45		13-09422-00		5.10 .25 W 5.0 % CF	2	R530,R531
46	46		13-11996-00		VARISTOR 150VAC VOLT TRANS SUP	1	R501
47	47		13-18150-12		8.06 K .25 W 1.0 % RN55D-F10	1	R516
48	48		13-19470-50		56.0 K 1.0 W 5.0 % M.OXIDE	1	R522
49	49		13-19470-53		100.0 K 1.0 W 5.0 % M.OXIDE	1	R505
50	50		13-20725-01		1.50 M .50 W 5.0 % CF	1	R502
51	51		13-27013-07		390.0 5.0 W 5.0 % M.OXIDE	1	R521
52	52		13-27013-13		120.0 3.0 W 5.0 % M.OXIDE	1	R523
53	53		13-28026-02		POT-OPEN/TRIM 1.0K 0.2 W 20.0	1	R510
54	54		13-28026-07		POT-OPEN/TRIM 3.0K 0.2 W 20.0	1	R515
55	55		13-28257-01		2.7 5.0 W 5.0 % WW	2	R503,R504
56	56		13-28261-01		.32 1.0 W 3.0 % WW	1	R520
57	57		15-09524-00		2N 3904 NPN 310MW SI 40 40 M	2	Q502,Q503
58	58		15-19536-01		SCR PIV= 50 IO= 8.00A	1	Q504
59	59		15-28225-01		MOSFET 400V 5.5A 10HM	1	Q501
60	60		16-18238-02		BEAD,FERRITE .1380DX.330LG	1	L503
61	61		16-28285-01		CHOKE COIL 7.0UH	2	L501,L502
62	62		16-28362-01		XFMR,SWITCH MODE (USA ONLY)	1	T502
63	63		16-28430-01		XFMR FILTER 1KHZ	1	T501
64	64		19-12048-05		7812 VOLT REG,FIX +12V	1	E502
65	65		19-23626-01		PWM OFF-LINE CURRENT	1	E501
66	66		36-18460-01		LABEL,BAR CODE BLANK .38 X1.5	1	
67	67	B-IA-7023276-0-DBU	70-23276-05	A	WIRE W/FASTON	1	P5
68	68	B-IA-7023276-0-DBU	70-23276-06	A	WIRE W/FASTON	1	P4
69	69	B-IA-7024553-0-DBU	70-24553-01	A	ENCLOSURE, SHIELD W/GND TABS	1	H501
70	70	C-MD-7435248-0-DBU	74-35248-01	A	CLIP	1	
71	71		90-08301-01		SCREW,MACH PAN PHIL 4-	3	
72	72		90-09800-02		SCREW,THD RL,PAN PHIL F/PLAS	1	
73	73		90-10057-00		WASHER,SHOULDER INSULATG PPS	2	

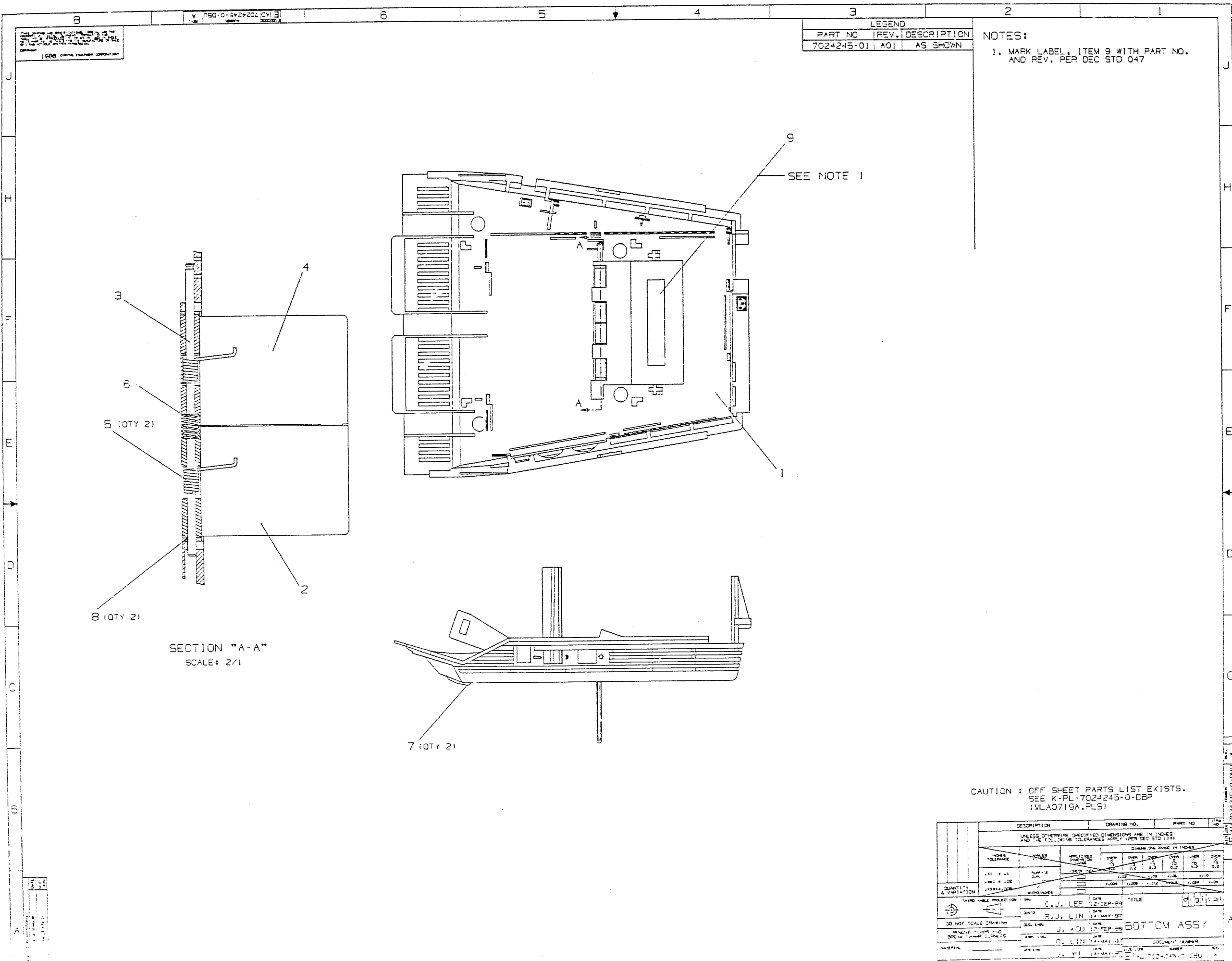
D	I	G	I	T	A	L	TITLE	SECTION A OF A	SIZE	CODE	DOCUMENT NUMBER	REV
							POWER SUPPLY MODULE		K	PL	5417191-0-DEP	A



LINE ITEM	TOP DOCUMENT	PART NUMBER	MIN REV	DESCRIPTION	01 A1	QUANTITY PER VARIATION/REVISION
1	1	E-MD-7434075-0-DBU	74-34075-01 A	BOTTOM	1	
2	2	D-MD-7434076-0-DBU	74-34076-01 A	ARM,LEFT,TILT	1	
3	3	B-MD-7434077-0-DBU	74-34077-01 A	SHAFT,TILT	1	
4	4	D-MD-7434078-0-DBU	74-34078-01 A	ARM,TILT,RIGHT	1	
5	5		12-28165-01	SPRING,OTRSION .2700D	2	
6	6		12-28163-01	SPRING,COMPRESSION .2600DX .70 LG	1	
7	7		12-28243-01	BUMPER,FRONT	2	
8	8		12-28360-01	WASHER,SPECIAL	2	
9	9		36-18460-03	LABEL,BAR CODE BLANK .90 X2.2	1	

REVISION HISTORY		KPL MATRIX FORMAT		SECTION A OF A	DRN: C.J. LEE	D I G I T A L			
ENG	ECO NUMBER	REV	SECTION/VARIATION INDEX		DATE: 17-SEP-86				
---	INITIAL	A	[A]	01	CHK'D: R.J. LIN	TITLE PARTS LIST			
			[B]		DATE: 08-MAY-87	BOTTOM ASSY			
			[C]		DES.ENG: J. KOU	DOCUMENT NUMBER			
			[D]		DATE: 17-SEP-86	SIZE	CODE	NUMBER	REV
			[E]		RESP.ENG.: O. LIN	K	PL	7024245-0-DBP	A
			[F]		DATE: 09-MAY-87	RELEASE DATE: 25-JUN-87			
			[H]		MFG.ENG: GORDON WU	RELEASE STATUS: RELEASED			
			[J]		DATE: 11-JUN-87				
		BASIC PART NUMBER:		ASSEMBLY NUMBER:	TOP DOCUMENT NUMBER:	FILE NAME:		EDIT #	
		7024245		E-AD-7024245-0-DBU	E-AD-7024245-0-DBU	MLA0719A.PLS		15	

"THIS DRAWING AND THE SPECIFICATIONS CONTAINED HEREIN ARE CONFIDENTIAL AND PROPRIETARY. THEY ARE THE PROPERTY OF DIGITAL EQUIPMENT CORPORATION AND SHALL NOT BE REPRODUCED OR COPIED OR USED IN WHOLE OR IN PART AS THE BASIS FOR THE MANUFACTURE OR SALE OF ITEMS WITHOUT WRITTEN PERMISSION. THIS IS AN UNPUBLISHED WORK PROTECTED UNDER THE FEDERAL COPYRIGHT LAWS."



LEGEND		
PART NO	REV.	DESCRIPTION
7024245-01	A01	AS SHOWN

NOTES:  
 1. MARK LABEL, ITEM 9 WITH PART NO. AND REV. PER DEC STD 047

SECTION "A-A"  
 SCALE: 2/1

CAUTION: OFF SHEET PARTS LIST EXISTS.  
 SEE K-PL-7024245-0-DBP  
 (MLA0719A.PLS)

DESCRIPTION	DRAWING NO.	PART NO	REV
UNLESS OTHERWISE SPECIFIED DIMENSIONS ARE IN INCHES AND THE FOLLOWING TOLERANCES APPLY (PER DEC STD 111)			
	DIMENSIONS SHOWN IN INCHES		
FINISH	NUMBER	APPLICABLE DIMENSION	TOLERANCE
ASSEMBLY	1	0.005	±0.005
WELDING	1	0.005	±0.005
OTHER	1	0.005	±0.005
QUANTITY & VARIATION	MIDRANGES		
THIRD ANGLE PROJECTION	DATE		
DO NOT SCALE DRAWING	DATE		
REMOVE TYPERS AND SPEAKERS FROM THIS DRAWING	DATE		
MATERIAL	DATE		

K-PL-7024245-0-DBP

DRAWING NO.	NO. OF SHTS.	PART NO.	DESCRIPTION	REVISIONS															
		54-17339-01	ARC PROTECTION MODULE	A1															
D-UA-5417339-0-0	1		UNIT ASSY	A															
B-CS-5417339-0-1	1		SCHEMATIC	A															
X-PL-5417339-0-02P	1		PARTS LIST	A															
X-PC-5417339-0-08V	1		P.C. DESIGN DATA BASE	A															
X-CS-5417339-0-08X	1		VALID DATA BASE	A															
		50-17338-01	ETCH CIRCUIT BOARD	A01															
B-DD-5017338-0-0	1		DRAWING DIRECTORY	A															

NOTES:

REVISION HISTORY	REV.
DATE	ECO NO.
JUN '87	RELEASED A

THIS DRAWING AND THE SPECIFICATIONS CONTAINED HEREIN ARE CONFIDENTIAL AND PROPRIETARY. THEY ARE THE PROPERTY OF DIGITAL EQUIPMENT CORPORATION AND SHALL NOT BE REPRODUCED OR COPIED OR USED IN WHOLE OR IN PART AS THE BASIS FOR THE MANUFACTURE OR SALES OF ITEMS WITHOUT WRITTEN PERMISSION. THIS IS AN UNPUBLISHED WORK PROTECTED UNDER THE FEDERAL COPYRIGHT LAWS.



DRW.	F. LIU	DATE	14-MAY-87	TITLE	DYS DIR, ARC PROTECTION MODULE			
CHK'D	B. CHEN	DATE	14-MAY-87	DOCUMENT NUMBER				
DES. ENG.	C. E. LIN	DATE	14-MAY-87	SIZE	CODE	NUMBER	REV.	
PREP. ENG.	S. Y. CHEN	DATE	14-MAY-87	B	DD	5417339-0-0	A	
MFG. ENG.	G. CHRISTIANSEN	DATE	16 JUN 87	SHEET 1 OF 1				

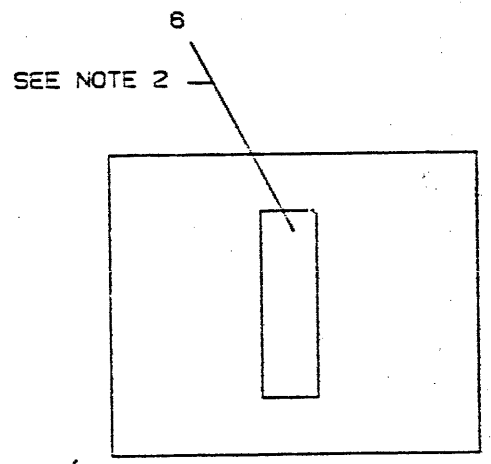
1687

BPO

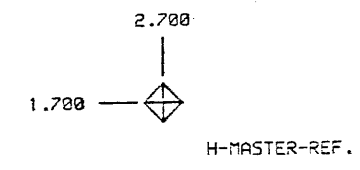
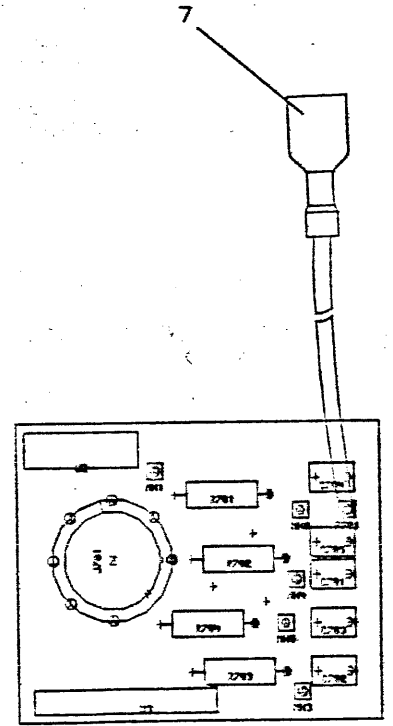


THIS BOARD IS THE PROPERTY OF THE U.S. AIR FORCE. IT IS TO BE KEPT IN THE ORIGINAL CONTAINER AND RETURNED TO THE ISSUING OFFICE AT THE TIME OF DISPOSAL. IT IS NOT TO BE REPRODUCED OR TRANSMITTED IN ANY FORM OR BY ANY MEANS, ELECTRONIC OR MECHANICAL, INCLUDING PHOTOCOPYING, RECORDING, OR BY ANY INFORMATION STORAGE AND RETRIEVAL SYSTEM.

- NOTE:**
1. THIS BOARD MUST MEET SAFETY REQUIREMENT FOR HPWR.
  2. MARK LABEL WITH SERIAL NUMBER PER DEC STD 047, LOCATED APPROXIMATELY AS SHOWN.



SIDE TWO



CHK	DRAWN BY	ENGINEER	CHANGE NO	DATE	REV

CHK	DRAWN BY	ENGINEER	CHANGE NO	DATE	REV

NOTES	EQ/PART	REV	NO

SIGNATURES	DATE

SIGNATURES		DATE	digital	
DRAWN	C. H. YU			
CHECKED	S. CHEN			
MECH ENG	J. COU		TITLE UNIT ASSY, ARC PROTECTION MODULE	
PROD ENG	S. CHENG			
SCALE	2/1	SIZE	CODE	NUMBER
SHEET	1 OF 1	D	UA	5417339-0-0
TOP OCC NO	3-00-5417339-0-0	REV	A	

370 1 WO#

LINE ITEM	TOP DOCUMENT	PART NUMBER	MIN REV	DESCRIPTION	QTY PER VAR/REV	REFERENCE DESIGNATORS
1	B-DD-5017338-0-0	50-17338-01	A	CIRCUIT DRILL AND ETCH	1	
2		10-27658-01		1.0 PFD 1500V + 0/-100%	5	C701-C705
3		12-28476-01		SKT,CRT 07POS BLK 2KV SPRK GA	1	J701
4		13-28450-01		47.0 .50 W10.0 % CC	2	R701,R702
5		13-28450-02		1.2 K .50 W10.0 % CC	2	R703,R704
6		36-18460-01		LABEL,BAR CODE BLANK .38 X1.5	1	
7	B-IA-7023276-0-DBU	70-23276-07	A	WIRE W/FASTON	1	P701

REVISION HISTORY			KPL MODULE FORMAT		SECTION A OF A	DRN: F LIU	D I G I T A L			
ENG	ECO NUMBER	REV	SECTION/VARIATION INDEX			DATE: 20-NOV-86				
---	INITIAL	A	[A]	01	[M]	CHK'D: B CHEN	TITLE PARTS LIST			
			[B]		[N]	DATE: 20-NOV-86	ARC PROTECTION MODULE			
			[C]		[P]	DES.ENG: CE LIN	DOCUMENT NUMBER			
			[D]		[Q]	DATE: 20-NOV-86	SIZE	CODE	NUMBER	REV
			[E]		[R]	RESP.ENG.: SW CHENG	K	PL	5417339-0-DBP	A
			[F]		[S]	DATE: 20-NOV-86	RELEASE DATE: 16-JUN-87			
			[H]		[T]	MFG.ENG: G.CHRISTIANSEN	RELEASE STATUS: RELEASED			
			[J]		[V]	DATE: 09-JUN-87				
			[K]		[W]					
			[L]		[Y]					
			BASIC PART NUMBER:		ASSEMBLY NUMBER:	TOP DOCUMENT NUMBER:	FILE NAME:		EDIT #	
			5417339		D-UA-5417339-0-0	B-DD-5417339-0-0	MLA1527A.PLS		11	

"THIS DRAWING AND THE SPECIFICATIONS CONTAINED HEREIN ARE CONFIDENTIAL AND PROPRIETARY. THEY ARE THE PROPERTY OF DIGITAL EQUIPMENT CORPORATION AND SHALL NOT BE REPRODUCED OR COPIED OR USED IN WHOLE OR IN PART AS THE BASIS FOR THE MANUFACTURE OR SALE OF ITEMS WITHOUT WRITTEN PERMISSION. THIS IS AN UNPUBLISHED WORK PROTECTED UNDER THE FEDERAL COPYRIGHT LAWS."

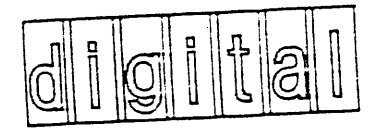
REVISIONS

DRAWING NO.	NO. OF SHTS.	PART NO.	DESCRIPTION	REV.																
		54-17277-01	MONITOR, LOGIC CONTROL MODULE	A1																
D-UA-5417277-0-0	1		UNIT ASSY	A																
B-CS-5417277-0-1	4		SCHEMATIC	A																
K-PL-5417277-0-DBP	4		PARTS LIST	A																
K-PC-5417277-0-DBV	1		P.C. DESIGN DATA BASE	A																
K-CS-5417277-0-DBX	1		VALID DATA BASE	A																
		50-17276-01	ETCH CIRCUIT BOARD	E01																
B-DD-5017276-0-0	1		DRAWING DIRECTORY	A																

NOTES:

REVISION HISTORY	
DATE	ECO NO. REV.
JUN '87	RELEASED A

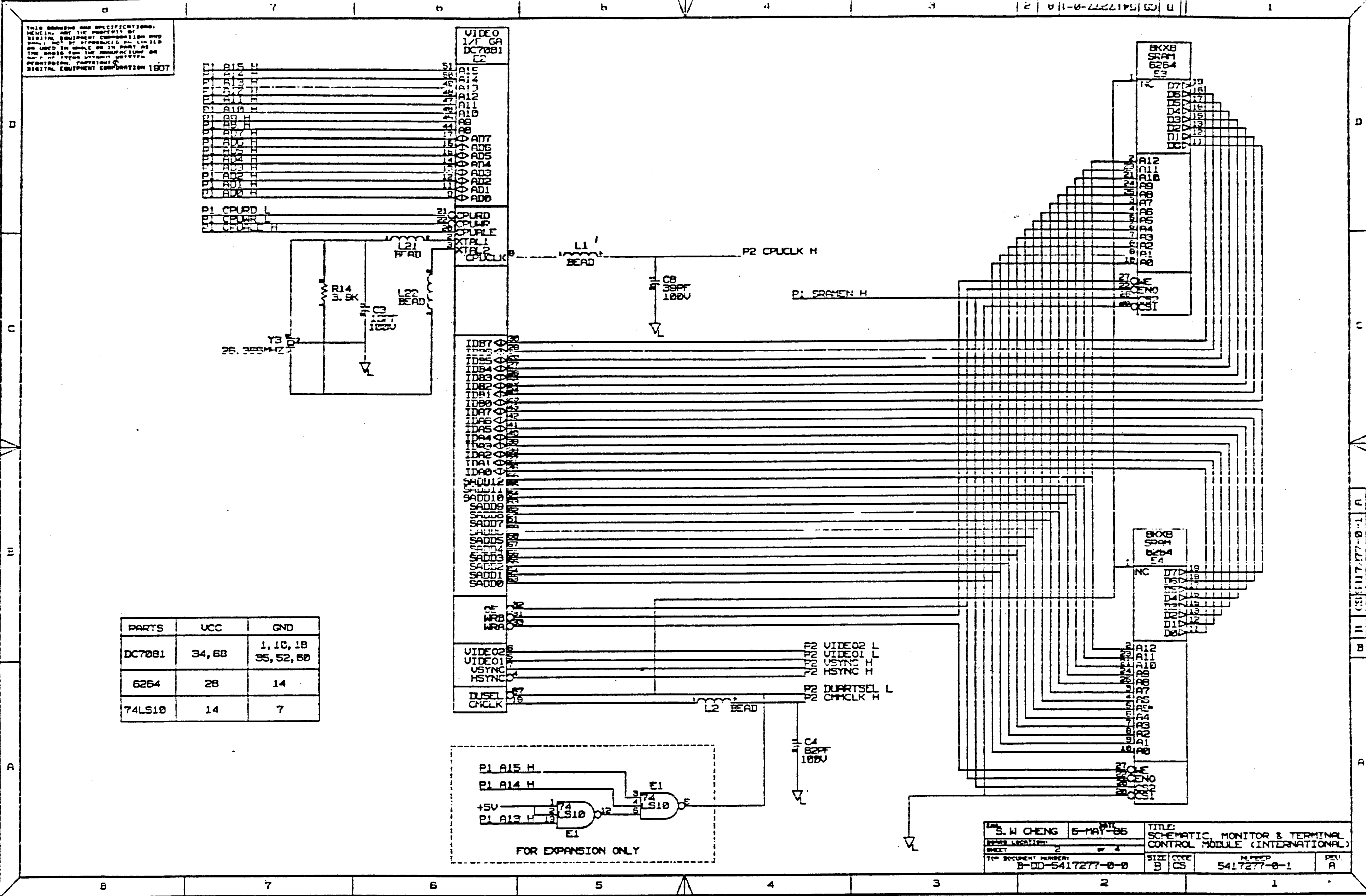
THIS DRAWING AND THE SPECIFICATIONS CONTAINED HEREIN ARE CONFIDENTIAL AND PROPRIETARY. THEY ARE THE PROPERTY OF DIGITAL EQUIPMENT CORPORATION AND SHALL NOT BE REPRODUCED OR COPIED OR USED IN WHOLE OR IN PARTS AS THE BASIS FOR THE MANUFACTURE OR SALES OF ITEMS WITHOUT WRITTEN PERMISSION. THIS IS AN UNPUBLISHED WORK PROTECTED UNDER THE FEDERAL COPYRIGHT LAWS.



1987

DRN.	F. LIU	DATE	20-NOV-86	TITLE	DWG DIR,
CHK'D	B. CHEN	DATE	20-NOV-86	MONITOR, LOGIC CONTROL MODULE	
DES. ENG.	L C CHEN/R. HU	DATE	20-NOV-86	DOCUMENT NUMBER	
RESP. ENG.	C L CHUANG/S W CHENG	DATE	20-NOV-86	SIZE	B
MFG. ENG.		DATE		CODE	DD
				NUMBER	5417277-0-0
				REV.	A
				SHEET	1 OF 1

THIS DRAWING AND SPECIFICATIONS, INCLUDING THE IDENTIFICATION OF DIGITAL EQUIPMENT COMPARISON AND PARTS, ARE THE PROPERTY OF THE U.S. GOVERNMENT AND ARE LOANED TO YOU IN PART AS THE BASIS FOR THE MANUFACTURE OF PARTS OF THE EQUIPMENT IDENTIFIED HEREIN. REPRODUCTION OF THIS DRAWING IS PROHIBITED.



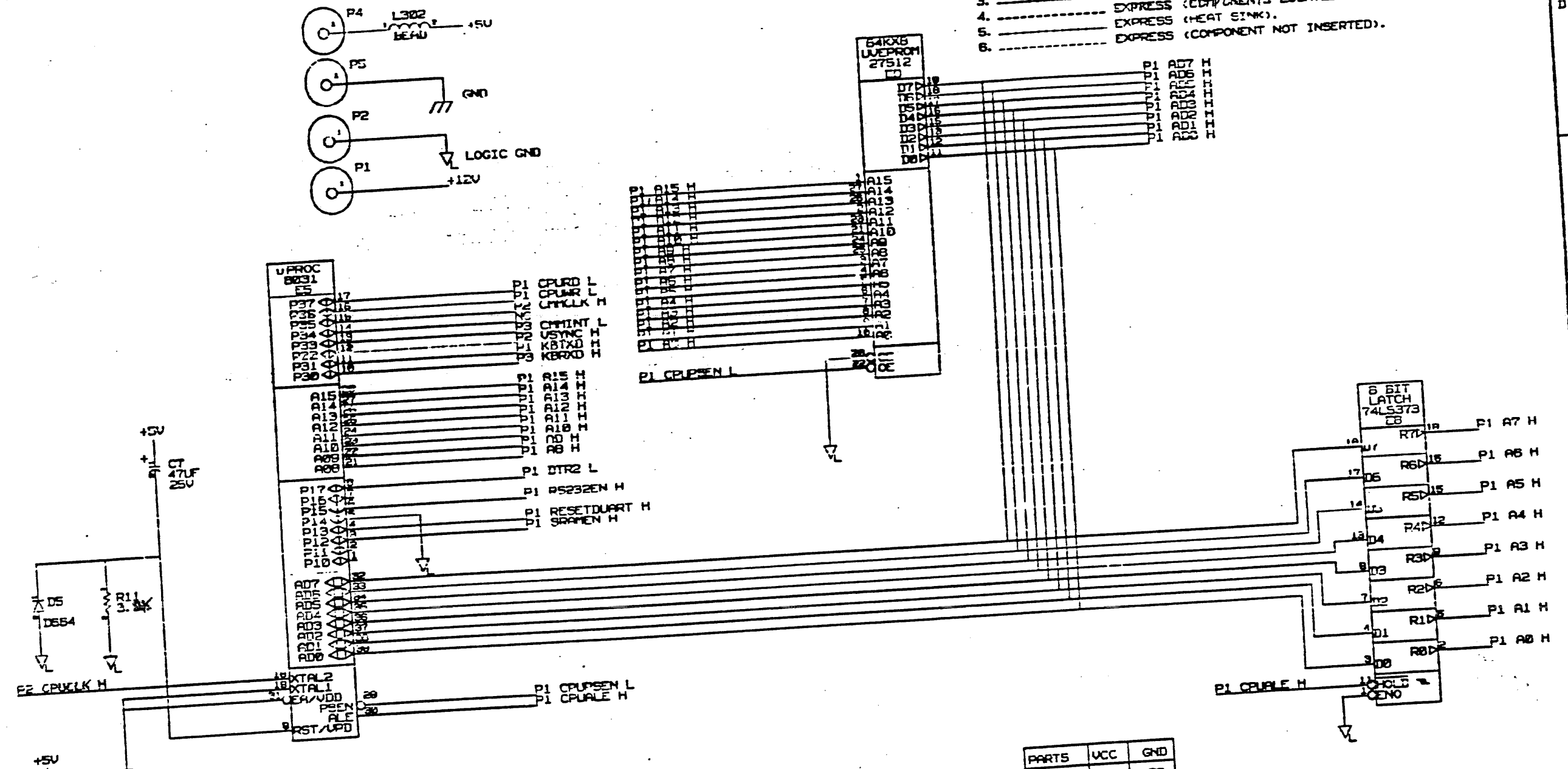
PARTS	UCC	GND
DC7081	34, 68	1, 10, 18 35, 52, 60
6264	28	14
74LS10	14	7

DESIGNED BY: S. W. CHENG  
 DATE: 5-MAY-86  
 TITLE: SCHEMATIC, MONITOR & TERMINAL CONTROL MODULE (INTERNATIONAL)  
 SHEET: 2 OF 4  
 TOP DOCUMENT NUMBER: B-DD-5417277-0-0  
 SIZE: B CS  
 M. PREP: 5417277-0-1  
 REV: A



NOTE: UNLESS OTHERWISE SPECIFIED:

1. ALL RESISTORS ARE EXPRESSED IN OHMS AND ARE 1/4W, +-5%.
2. THE VOLTAGE OF ALL CAPACITORS ARE 50V.
3. \_\_\_\_\_ EXPRESS (OFF THE BOARD).
4. \_\_\_\_\_ EXPRESS (COMPONENTS LOCATED IN PACKAGE).
5. \_\_\_\_\_ EXPRESS (HEAT SINK).
6. \_\_\_\_\_ EXPRESS (COMPONENT NOT INSERTED).



REVISION	CHK	CHANGE NO.	REV
JUN '87	RELEASED	A	

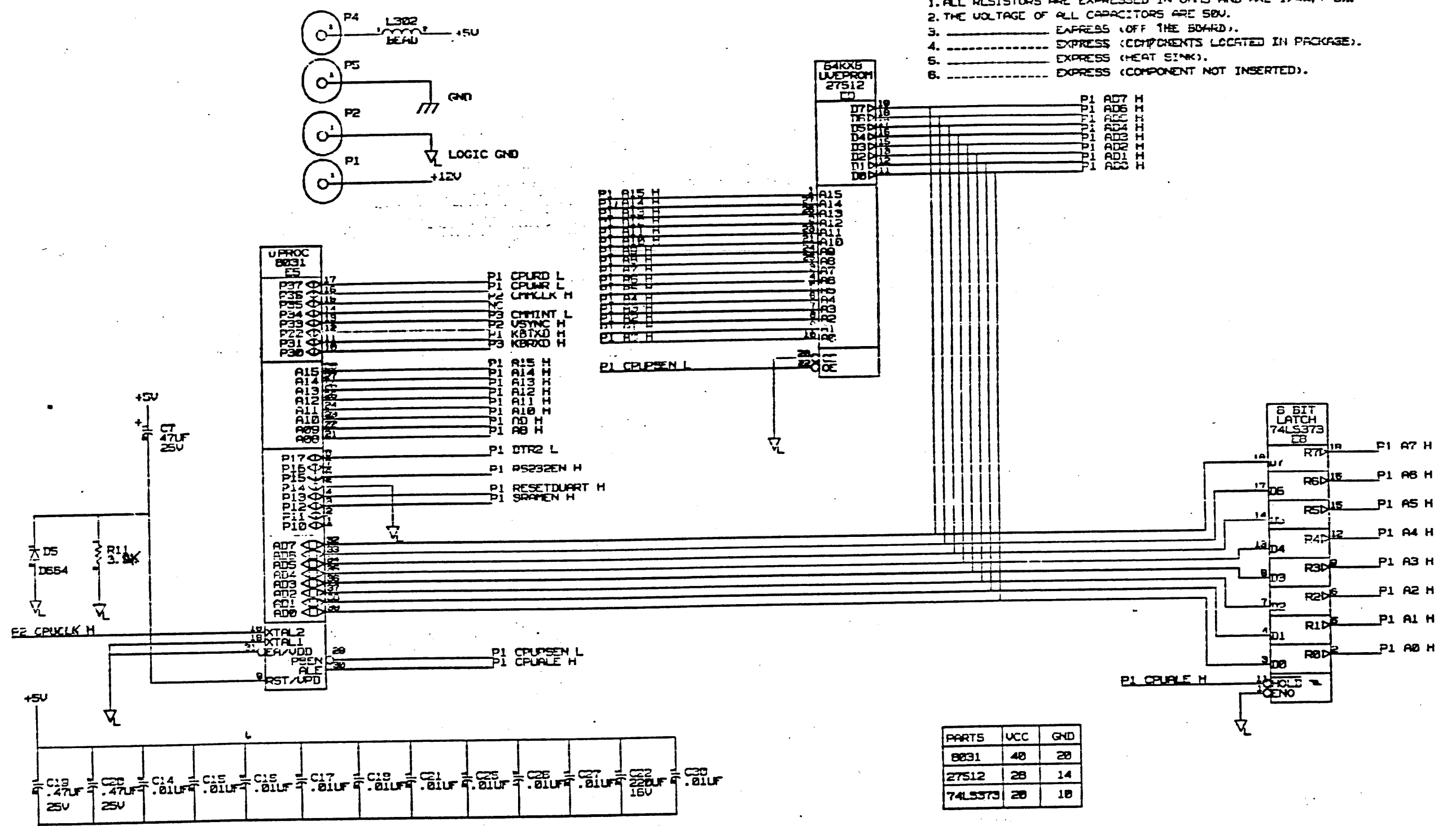
DRAWING  
LAST\_MODIFIED=Sat Jun 6 16:27:57 1987

DESIGNED BY C. M. WANG	DATE 6-MAY-86	CHKD BY S. F. LU	DATE 6-MAY-86	DESIGNED BY S. W. CHENG	DATE 6-MAY-86	TITLE SCHEMATIC, MONITOR & TERMINAL CONTROL MODULE (INTERNATIONAL)
TOP DOCUMENT NUMBER B-DD-5417277-0-0				SIZE B	CODE CS	NUMBER 5417277-0-1
FIRST USED ON OPTION/MODEL 3				2		1

BPO

NOTE: UNLESS OTHERWISE SPECIFIED:

1. ALL RESISTORS ARE EXPRESSED IN OHMS AND ARE 1/4W, +-5%.
2. THE VOLTAGE OF ALL CAPACITORS ARE 50V.
3. \_\_\_\_\_ EXPRESS (OFF THE BOARD).
4. - - - - - EXPRESS (COMPONENTS LOCATED IN PACKAGE).
5. \_\_\_\_\_ EXPRESS (HEAT SINK).
6. - - - - - EXPRESS (COMPONENT NOT INSERTED).



THIS DRAWING AND SPECIFICATIONS ARE THE PROPERTY OF DIGITAL EQUIPMENT CORPORATION AND SHALL NOT BE REPRODUCED OR COPIED IN ANY MANNER OR IN ANY MEDIUM WITHOUT WRITTEN PERMISSION. COMPLIANT TO MIL-STD-883C EQUIPMENT COMPONENTS

REVISION	OK	CHANGE NO.	REV
JUN '87			RELEASED A

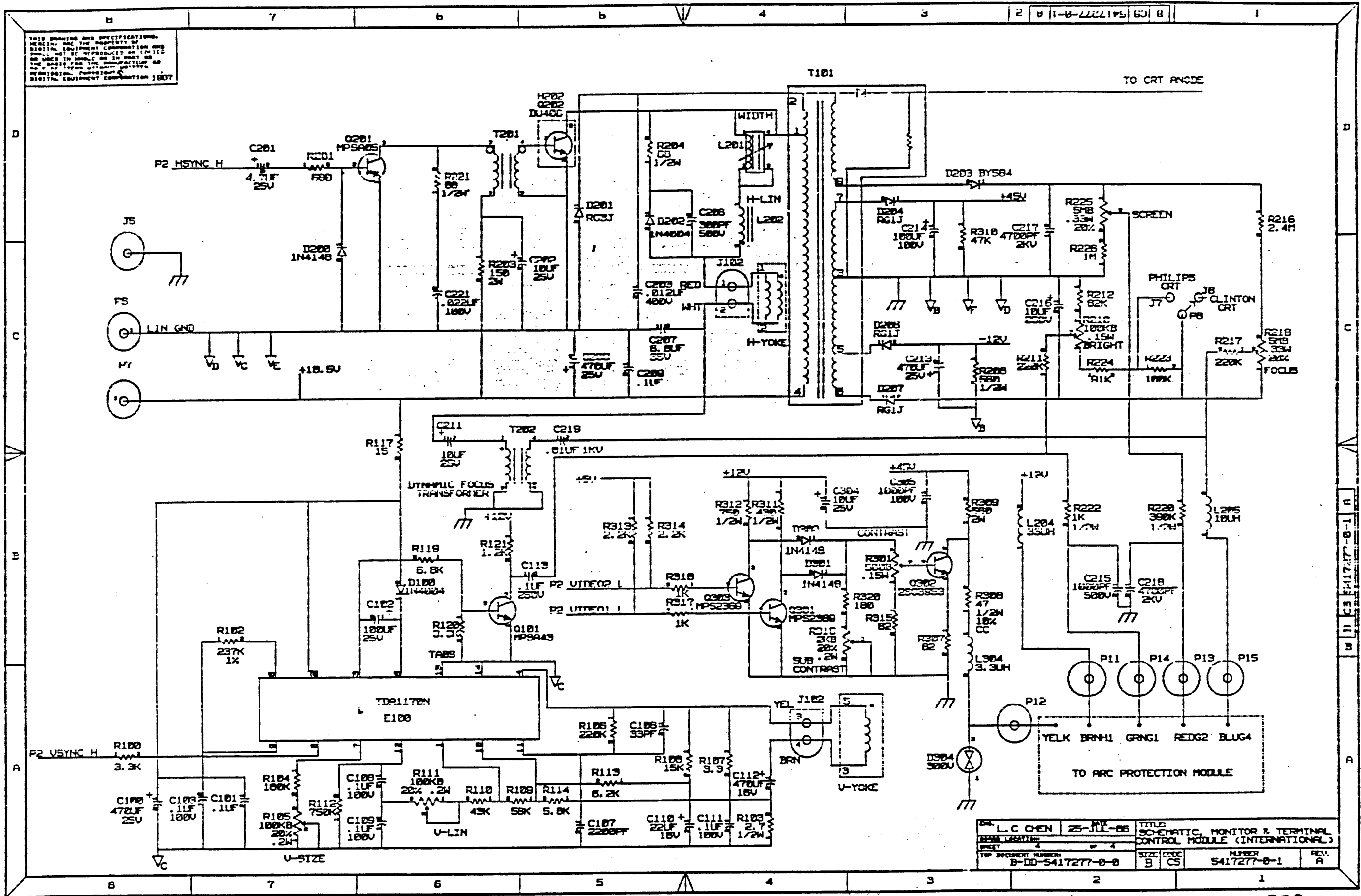
DRAWING  
LAST\_MODIFIED=Sat Jun 6 10:27:57 1987

**digital**  
C. H. WANG  
S. F. LU

DATE: 6-MAY-86  
DATE: 6-MAY-86  
TOP DOCUMENT NUMBER: B-00-5417277-8-8

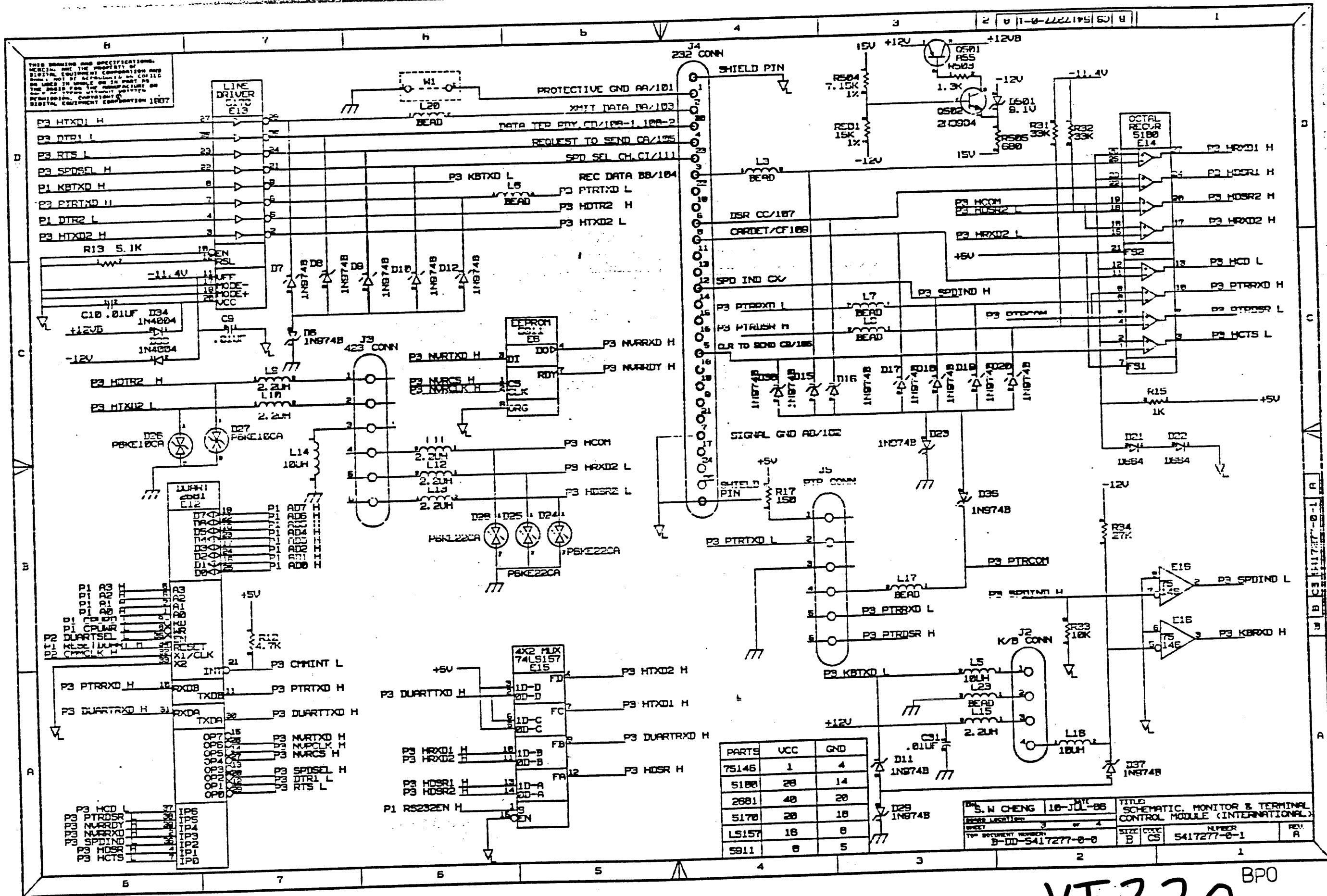
TITLE: SCHEMATIC, MONITOR & TERMINAL CONTROL MODULE (INTERNATIONAL)  
SIZE: B  
CODE: CS  
NUMBER: 5417277-8-1  
REV: A

THIS DRAWING AND SPECIFICATIONS ARE THE PROPERTY OF DIGITAL EQUIPMENT CORPORATION AND SHALL NOT BE REPRODUCED OR TRANSMITTED IN ANY FORM OR BY ANY MEANS, ELECTRONIC OR MECHANICAL, INCLUDING PHOTOCOPYING, RECORDING, OR BY ANY INFORMATION STORAGE AND RETRIEVAL SYSTEM. PERMISSION TO REPRODUCE THIS DRAWING FOR THE MANUFACTURE OF EQUIPMENT IS GRANTED BY DIGITAL EQUIPMENT CORPORATION 1977



DESIGNER	L. C. CHEN	DATE	25-JUL-66	TITLE	SCHEMATIC, MONITOR & TERMINAL CONTROL MODULE (INTERNATIONAL)
ISSUED					
REVISED					
TOP DOCUMENT NUMBER	B-DD-541727-8-8			SIZE	CS
				NUMBER	541727-8-1
				REL.	A

VT320 BPO

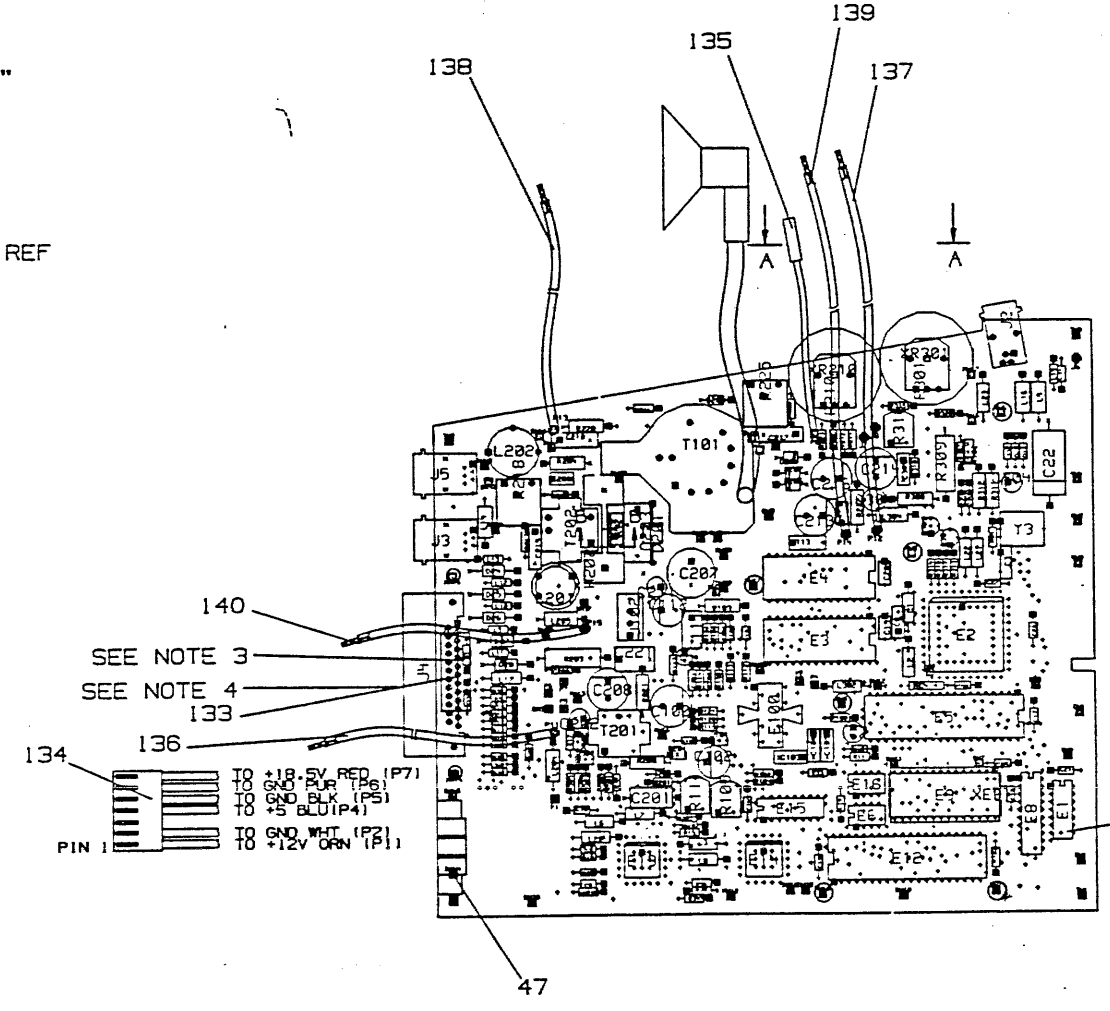
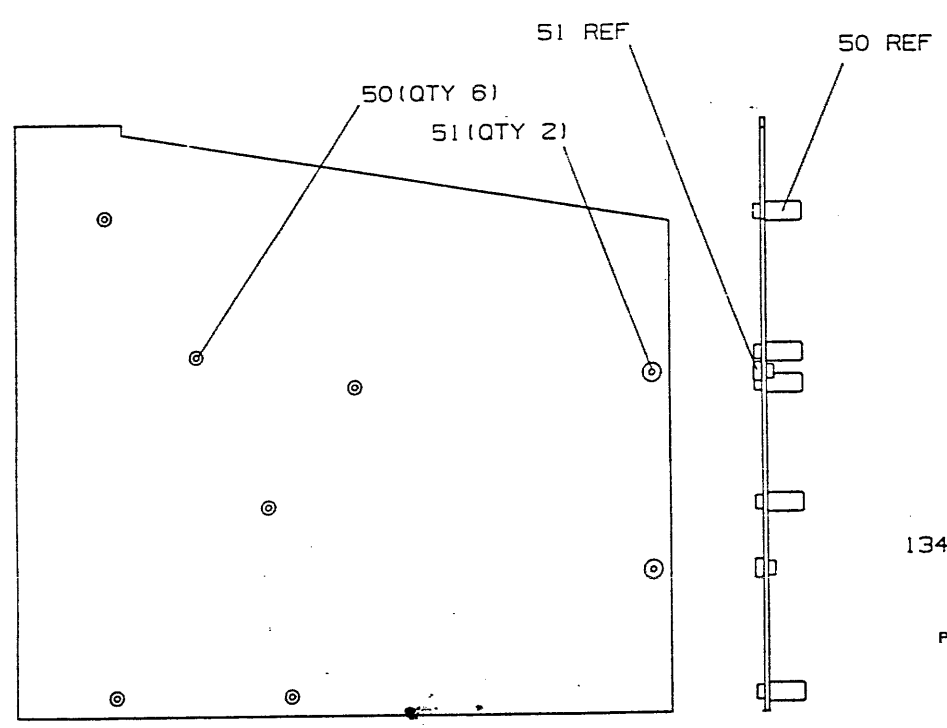
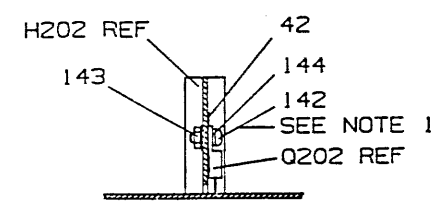
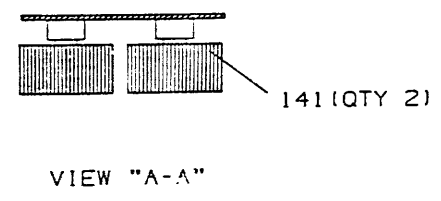


PARTS	UCC	GND
75146	1	4
5180	28	14
2681	48	20
5170	28	18
LS157	18	8
5811	8	5

DATE: 18-JUL-86  
 TITLE: SCHEMATIC, MONITOR & TERMINAL CONTROL MODULE (INTERNATIONAL)  
 SIZE: B CS  
 NUMBER: 5417277-0-1  
 REV: A

VT320 BPO

THIS DRAWING AND THE SPECIFICATIONS CONTAINED HEREIN ARE CONFIDENTIAL AND PROPRIETARY. THEY ARE THE PROPERTY OF HEWLETT PACKARD COMPANY AND SHALL NOT BE REPRODUCED OR COPIED OR USED IN ANY MANNER AS THE BASIS FOR THE MANUFACTURE OR SALE OF ITEMS WITHOUT WRITTEN PERMISSION. THIS IS AN UNCLASSIFIED AND UNCONTROLLED SOURCE. CONFIDENTIAL HEWLETT PACKARD COMPANY



- NOTE:
1. TORQUE REQUIREMENT: ITEM 142 3-5 IN-LBS.
  2. THIS BOARD MUST MEET SAFETY REQUIREMENT FOR HPWR.
  3. W1 & E1 ARE NOT INSERTED.
  4. MARK LABEL WITH SERIAL NUMBER PER DEC STD 047, LOCATED APPROXIMATELY AS SHOWN.

TO +18.5V RED (P7)

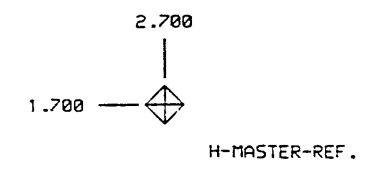
TO GND PUR (P6)

TO +5 BLU (P4)

TO GND WHT (P2)

TO +12V GRN (P1)

PIN 1



CHK	DRAWN BY	ENGINEER	CHANGE NO	DATE	REV

NOTES 50/PART REV: E01

STEP	↑ Y AXIS	STEP	TIMES
REPEAT	→ X AXIS	STEP	TIMES

SIGNATURES		DATE
DRAWN	C. K. LIAO	
CHECKED	B. CHEN	
MECH ENG	J. KOU	
PROJ ENG	S. CHEN / L. CHEN	
PROD		
SCALE	1/1	
SHEET	1 OF 1	
TOP DOC NO	B-DD-5417277-0-0	

digital

TITLE UNIT ASSY.  
MONITOR, LOGIC CONTROL MODULE

SIZE CODE NUMBER REV  
D UA 5417277-0-0 A

8 7 6 5 4 3 2 1  
 D C B A  
 0-0-LL2L15  
 5417277-0-0  
 D J A  
 5417277-0-0  
 B P O 1 W O #

LINE ITEM	TOP DOCUMENT	PART NUMBER	MIN REV	DESCRIPTION	QTY	PER VAR/REV	REFERENCE DESIGNATORS
1	B-DD-5017276-0-0	50-17276-01	E	CIRCUIT DRILL AND ETCH	1		
2		10-00010-00	39	PFD 100V +/- 5% 200PP	1		C8
3		10-00015-00	82	PFD 100V +/- 5% 200PP	1		C4
4		10-01610-00		0.010MFD 50V +80/-20% Z5U C	13		C9,C10,C14-C18,C21,C25-C27,C30,
							CONT C31
5		10-02608-00	18	PFD 100V +/- 5% 200PP	1		C3
6		10-10279-01	0.47	MFD 25V +/-20% Z5U C	2		C19,C20
7		10-13466-04	33	PFD 50V +/- 5% NP0 C	1		C106
8		10-13466-12	2200	PFD 50V +/-10% X7R C	1		C107
9		10-13466-22	0.10	MFD 50V +80/-20% Z5U C	2		C101,C209
10		10-16544-00	0.10	MFD 100V +/-10% MYLAR	1		C111
11		10-16553-00	4.7	MFD 25V +75/-10% ALU	1		C201
12		10-16570-00	1000	PFD 500V +80/-20% X5S/Z	1		C215
13		10-16572-00	300	PFD 500V +/-10% X5F/X	1		C206
14		10-18000-15	10	MFD 250V +50/-20% ALU	1		C216
15		10-18000-17	470	MFD 25V +50/-20% ALU	3		C100,C208,C213
16		10-18000-29	10	MFD 25V +75/-20% ALU	3		C202,C211,C304
17		10-18000-31	470	MFD 16V +50/-20% ALU	1		C112
18		10-18000-33	100	MFD 25V +50/-20% ALU	1		C102
19		10-18000-34	100	MFD 100V +50/-20% ALU	1		C214
20		10-18000-40	47	MFD 25V +/-20% ALU	1		C7
21		10-19559-02	0.010MFD	1000V +/-20% Y5U/Z	1		C219
22		10-20446-12	220	MFD 16V +50/-10% ALU	1		C22
23		10-20604-03	0.10	MFD 100V +/- 5% MET.	3		C103,C108,C109
24		10-21480-07	0.012MFD	400V +/- 5% POLYP	1		C203
25		10-22087-01	1000	PFD 100V +/-20% Z5P	1		C305
26		10-23486-03	22	MFD 16V +/-20% ALU	1		C110
27		10-26646-01	0.10	MFD 250V +/-10% MYLAR	1		C113
28		10-27656-01	0.022MFD	100V +/- 5% MET.	1		C221
29		10-28139-01	6.8	MFD 35V +/-20% ALU	1		C207
30		10-28377-01	4700	PFD 2000V +80/-20%	2		C217,C218
31		11-00114-00	PIV=	25 IO=135 MA	3		D5,D21,D22

REVISION HISTORY		KPL MODULE FORMAT SECTION A OF A		DRN: F. LIU	DIGITAL		
ENG: ECO NUMBER		REV	SECTION/VARIATION INDEX	DATE: 20-NOV-86	TITLE PARTS LIST		
---		INITIAL	[A] 01 [M]	CHK'D: B. CHEN	MONITOR, LOGIC CONTROL MODULE		
			[B] [N]	DATE: 20-NOV-86			
			[C] [P]	DES.ENG: L.C. CHEN	DOCUMENT NUMBER		
			[D] [Q]	DATE: 20-NOV-86	SIZE	CODE	NUMBER
			[E] [R]	RESP.ENG.: C.L. CHUANG	K	PL	5417277-0-DBP
			[F] [S]	DATE: 20-NOV-86	REV		
			[H] [T]	MFG.ENG: G. CHRISTIANSEN	RELEASE DATE: 16-JUN-87		
			[J] [V]	DATE: 09-JUN-87	RELEASE STATUS: RELEASED		
			[K] [W]				
			[L] [Y]				
BASIC PART NUMBER:		ASSEMBLY NUMBER:		TOP DOCUMENT NUMBER:		FILE NAME:	
5417277		D-UA-5417277-0-0		B-DD-5417277-0-0		MLA1269A.PLS	
						EDIT #	
						20	

"THIS DRAWING AND THE SPECIFICATIONS CONTAINED HEREIN ARE CONFIDENTIAL AND PROPRIETARY. THEY ARE THE PROPERTY OF DIGITAL EQUIPMENT CORPORATION AND SHALL NOT BE REPRODUCED OR COPIED OR USED IN WHOLE OR IN PART AS THE BASIS FOR THE MANUFACTURE OR SALE OF ITEMS WITHOUT WRITTEN PERMISSION. THIS IS AN UNPUBLISHED WORK PROTECTED UNDER THE FEDERAL COPYRIGHT LAWS."

LINE ITEM	TOP DOCUMENT	PART NUMBER	MIN REV	DESCRIPTION	QTY	PER VAR/REV	REFERENCE DESIGNATORS
					01		
					A1		
32	32	11-05796-00		PIV= 400 IO= 1.00A 1N4004 D0-41	4		D33, D34, D100, D202
33	33	11-09990-00		VZ= 9.1 5% 400 MW 1N757A	1		D501
34	34	11-12594-02		PIV= 600 IO= 3.00A	1		D201
35	35	11-12595-02		PIV= 600 IO= 1.00A AXIAL	3		D204, D206, D207
36	36	11-16475-00		PIV= 75 - 4NS 1N4148	3		D200, D301, D302
37	37	11-21581-01		PIV=1500 IO= 60MA	1		D203
38	38	11-24037-01		VZ= 36.0 5% 400 MW 1N974B D0-35	18		D6-D12, D15-D20, D23, D29, D36-D38
39	39	11-26743-01	SEE NOTE 1	TRANS SUPP 600W 10V +/-	2		D26, D27
40	40	11-26743-02	SEE NOTE 2	TRANS SUPP 600W 22V +/-	3		D24, D25, D28
41	41	11-27611-01		DIA SURGE ABSORBER 300V +/-15%	1		D304
42	42	12-13071-06		INSULATOR, RUBBER SILICONE	1		H202
43	43	12-13921-11		HEAT SINK, EXTRUSION 1.380X1.50	1		XE9
44	44	12-15006-07		SKT, IC 28PIN DIP TIN SOLD	1		J102
45	45	12-16521-00		PCB, HEADER 04PIN(1X04).156CC STR	1		J2
46	46	12-18826-07		CONN, PHONE JACK 04POS	1		
47	47	12-20840-01		STRIP, SHIELDING EMI/RFI 1.250LG	1		J3, J5
48	48	12-23433-02		CONN, LAN JACK 06 POS	2		J4
49	49	12-26314-01		CONN, D SUB 25POS ASSY 90D GOLD	1		
50	50	12-28433-01		INSERT	6		
51	51	12-28433-02		INSERT	2		J7, J8
52	52	12-28473-01		PCB HEADER PIN .0620D TIN	2		R17
53	53	13-00250-00		150.0 .25 W 5.0 % CF	1		R208
54	54	13-00338-00		560.0 .50 W 5.0 % CF	1		R312
55	55	13-00354-00		750.0 .50 W 5.0 % CF	1		R222
56	56	13-00364-00		1.0 K .50 W 5.0 % CF	1		R15, R317, R318
57	57	13-00365-00		1.0 K .25 W 5.0 % CF	3		R313, R314
58	58	13-00417-00		2.20 K .25 W 5.0 % CF	2		R100, R120
59	59	13-00439-00		3.30 K .25 W 5.0 % CF	2		R11, R14
60	60	13-00444-00		3.90 K .25 W 5.0 % CF	2		R12
61	61	13-00447-00		4.70 K .25 W 5.0 % CF	1		R33
62	62	13-00479-00		10.0 K .25 W 5.0 % CF	1		R108
63	63	13-00496-00		15.0 K .25 W 5.0 % CF	1		R121
64	64	13-01320-00		1.20 K .25 W 5.0 % CF	1		R320
65	65	13-01322-00		180.0 .25 W 5.0 % CF	1		R117
66	66	13-01421-00		15.0 .25 W 5.0 % CF	1		R119
67	67	13-01423-00		6.80 K .25 W 5.0 % CF	1		R201, R505
68	68	13-01424-00		680.0 .25 W 5.0 % CF	2		R307, R315
69	69	13-01477-00		82.0 .25 W 5.0 % CF	2		R114
70	70	13-01874-00		5.60 K .25 W 5.0 % CF	1		R106, R211, R217
71	71	13-02092-00		220.0 K .25 W 5.0 % CF	3		R310
72	72	13-02177-00		47.0 K .25 W 5.0 % CF	1		R109
73	73	13-02395-00		56.0 K .25 W 5.0 % CF	1		R104
74	74	13-02397-00		180.0 K .25 W 5.0 % CF	1		R223
75	75	13-02466-00		100.0 K .25 W 5.0 % CF	1		R212
76	76	13-03219-00		82.0 K .25 W 5.0 % CF	1		R110
77	77	13-04838-00		43.0 K .25 W 5.0 % CF	1		R504
78	78	13-05253-00		7.15 K .25 W 1.0 % RN55D-F10	1		R34
79	79	13-05346-00		27.0 K .25 W 5.0 % CF	1		R204, R221
80	80	13-09405-00		68.0 .50 W 5.0 % CF	2		R226
81	81	13-09595-00		1.0 M .25 W 5.0 % CF	1		

D	I	G	I	T	A	L	TITLE	SECTION A OF A	SIZE	CODE	DOCUMENT NUMBER	REV
							MONITOR, LOGIC CONTROL MODULE		K	PL	5417277-0-DBP	A

AUTOMATED BY VAXKPL (V1.3)

PARTS LIST

LINE ITEM	TOP DOCUMENT	PART NUMBER	MIN REV	DESCRIPTION	QTY	PER VAR/REV	REFERENCE DESIGNATORS
					01		
					A1		
82	82	13-12930-00	5.10 K	.25 W 5.0 % CF	1		R13
83	83	13-12931-00	6.20 K	.25 W 5.0 % CF	1		R113
84	84	13-13349-00	33.0 K	.25 W 5.0 % CF	2		R31,R32
85	85	13-13752-00	15.0 K	.25 W 5.0 % RN55D-F10	1		R501
86	86	13-14650-00	91.0 K	.25 W 5.0 % CF	1		R224
87	87	13-14954-00	430.0	.50 W 5.0 % CF	1		R311
88	88	13-15437-00	237.0 K	.25 W 1.0 % RN55D-F10	1		R102
89	88	13-16441-00	2.40 M	.25 W 5.0 % CF	1		R216
90	89	13-16507-00	2.70	.50 W 5.0 % CF	1		R103
91	90	13-19242-00	750.0 K	.25 W 5.0 % CF	1		R112
92	91	13-19471-16	150.0	2.0 W 5.0 % M.OXIDE	1		R203
93	92	13-19471-25	560.0	2.0 W 5.0 % M.OXIDE	1		R103
94	93	13-19563-01	POT-OPEN/TRIM	5.0M 0.33W 20.0	2		R112
95	94	13-20608-01	3.30	.25 W 5.0 % CF	1		R203
96	95	13-20632-01	1.30 K	.25 W 5.0 % CF	1		R107
97	96	13-20713-01	390.0 K	.50 W 5.0 % CF	1		R503
98	97	13-27943-02	POT-OPEN/TRIM	100.0K 0.15W 20.0	1		R220
99	98	13-27943-03	POT-OPEN/TRIM	500.0 0.15W 20.0	1		R210
100	99	13-28026-01	POT-OPEN/TRIM	2.0K 0.2 W 20.0	1		R301
101	100	13-28026-03	POT-OPEN/TRIM	100.0K 0.2 W 20.0	2		R316
102	101	13-28450-01	47.0	.50 W 10.0 % CC	1		R105,R111
103	102	15-09524-00	2N 3904	NPN 310MW SI 4C 40 M	1		R308
104	103	15-10705-00	XA 05	NPN 500MW SI 60 50 P	1		Q502
105	104	15-10706-00	XA 55	PNP 500MW SI 60 50 P	1		Q201
106	105	15-12976-00	MPSA43	NPN 625MW SI200 50	1		Q501
107	106	15-20857-01	MPS2369	NPN 350MW 40V 200MA T	2		Q101
108	107	15-27609-01	BU406	NPN 400V 60W T0220	1		Q301,Q303
109	108	15-28392-01	TRANSISTOR,VIDEO OUTPUT		1		Q202
110	109	16-13898-01	33.0 UH	INDUCTOR	1		Q302
111	110	16-18238-02	BEAD,FERRITE .1380DX.330LG		12		L204
112	111	16-21807-01	COIL,WIDTH,VARIABLE	INDUCTOR	1		L1-L3,L6-L8,L17,L20-L23,L302
113	112	16-27761-01	10.0 UH 10% Q= 55 @ 7.9MHZ	SRF=	4		L201
114	113	16-27975-01	XFR,FLYBACK,HI VOLT	18.9KHZ	1		L5,L14,L16,L205
115	114	16-28226-01	CHOKE COIL	2.2UH 10%	6		T101
116	115	16-28286-01	XFMR,HOR BUFFER		1		L9-L13,L15
117	116	16-28287-01	COIL,LINEARITY		1		T201
118	117	16-28364-01	XFMR,DYNAMIC FOCUS	LP=15MH TURNS	1		L202
119	118	16-28365-01	CHOKE,RF COATED	3.3UH 10% Q=65@7	1		T202
120	119	18-28361-01	XTAL	26.366 MHZ	1		L304
121	120	19-12847-00	LS157	MUX 1 OF 2(QUAD)	1		Y3
122	121	19-15219-00	LS373	FF-D OCTAL-TRANSPARE	1		E15
123	122	19-23889-01	EIA OCTAL LINE DRIVE		1		E8
124	123	19-23890-01	EIA OCTAL LINE RECEI		1		E13
125	124	19-27621-01	VERT DEFLECTION CHIP		1		E14
126	125	19-27782-01	DUAL LINE RECEIVER		1		E100
127	126	21-20068-01	2681	REC./TRANS.,ASYNC.,D	1		E16
128	127	21-20115-02	8031AH	MICROPROCESSOR,8BIT	1		E12
129	128	21-21384-03	RAM	8KX8,STATIC 120	1		E5
130	129	21-27705-02	DC7081	CONTROLLER,VIDEO+RAM,420	2		E3,E4
131	130	23-N4 -01	1024	EPROM	1		E2
							E6

SEE NOTE 3

D I G I T A L

TITLE MONITOR, LOGIC CONTROL MODULE

SECTION A OF A

SIZE	CODE	DOCUMENT NUMBER	REV
K	PL	5417277-0-DBP	A



LINE ITEM	TOP DOCUMENT	PART NUMBER	MIN REV	DESCRIPTION	QTY PER VAR/REV	REFERENCE DESIGNATORS
132	132	23-48E7 -00	E7-01		1	E9
133	133	36-18460-01		LABEL, BAR CODE BLANK .38 X1.5	1	
134	134	C-IA-7024307-0-DBU	70-24307-02 A	CONN/WIRE ASSY	1	
135	135	B-IA-702476-0-DBU	70-24576-01 A	WIRE W/CONNECTOR	1	P8
136	136	B-IA-7024586-0-DBU	70-24586-01 A	WIRE W/PCB CRIMP	1	P11
137	137	B-IA-7024586-0-DBU	70-24586-02 A	WIRE W/PCB CRIMP	1	P12
138	138	B-IA-7024586-0-DBU	70-24586-03 A	WIRE W/PCB CRIMP	1	P13
139	139	B-IA-7024586-0-DBU	70-24586-04 A	WIRE W/PCB CRIMP	1	P14
140	140	B-IA-7024586-0-DBU	70-24586-05 A	WIRE W/PCB CRIMP	1	P15
141	141	C-MD-7434090-0-DBU	74-34090-01 A	THUMBWHEEL	2	
142	143		90-06010-01	SCREW, MACH PAN PHIL 4-	1	
143	144		90-06557-00	NUT, HEX EXT TOOTH LCKWSHR 4-40	1	
144	145		90-10057-00	WASHER, SHOULDER INSULATG PPS	1	

- 1 GEN: 11-26743-01 CAN BE SUBSTITUTED BY 11-28275-01.
- 2 GEN: 11-26743-02 CAN BE SUBSTITUTED BY 11-28275-02.
- 3 GEN: 15-20857-01 CAN BE SUBSTITUTED BY 15-21002-01.

D	I	G	I	T	A	L	TITLE	SECTION A OF A	SIZE	CODE	DOCUMENT NUMBER	REV
							MONITOR, LOGIC CONTROL MODULE		K	PL	5417277-0-DBP	A

LINE	ITEM	TOP DOCUMENT	PART NUMBER	MIN REV	DESCRIPTION	QUANTITY PER VARIATION/REVISION	
						01 A1	02 A1
1	1	B-DD-5417191-0-0	54-17191-01	A	POWER SUPPLY BOARD	1	-
2	2	B-DD-5417279-0-0	54-17279-01	A	PWR SUPPLY BRD	-	1
3	3	B-IA-7024296-0-DBU	70-24296-01	A	POWER CORD ASSY	1	-
4	4	B-IA-7024298-0-DBU	70-24298-01	A	FILTER ASSY	-	1
5	5	C-IA-7024570-0-DBU	70-24570-01	A	SHIELD/GND TAB ASSY	1	-
6	6	C-IA-7024570-0-DBU	70-24570-02	A	SHIELD/GND TAB ASSY	-	1
7	7		12-23381-02		SW,RKR DPST ON-NONE-OFF 10A25	1	1
8	8		90-00049-66		SCREW,SEMS PAN PHIL EXT WSH 4-40	1	1
9	9		36-18460-03		LABEL,BAR CODE BLANK .90 X2.2	1	1

REVISION HISTORY		KPL MATRIX FORMAT		SECTION A OF A		DRN: C.H. CHEN		D I G I T A L		
ENG	ECO NUMBER	REV	SECTION/VARIATION INDEX		DATE:	17-SEP-86				
---	INITIAL	A	[A]	01,02	CHK'D:	R.J. LIN	TITLE PARTS LIST			
			[B]		DATE:	13-MAY-87	POWER SUPPLY ASSY			
			[C]		DES.ENG:	J. KOU				
			[D]		DATE:	17-SEP-86	DOCUMENT NUMBER			
			[E]		RESP.ENG.:	O. LIN	SIZE	CODE	NUMBER	REV
			[F]		DATE:	13-MAY-87	K	PL	7024244-0-DBP	A
			[H]		MFG.ENG:	GORDON WU	RELEASE DATE: 18-JUN-87			
			[J]		DATE:	11-JUN-87	RELEASE STATUS: RELEASED			
BASIC PART NUMBER:		ASSEMBLY NUMBER:		TOP DOCUMENT NUMBER:		FILE NAME:		EDIT #		
7024244		D-AD-7024244-0-DBU		D-AD-7024244-0-DBU		MLA0718A.PLS		13		

"THIS DRAWING AND THE SPECIFICATIONS CONTAINED HEREIN ARE CONFIDENTIAL AND PROPRIETARY. THEY ARE THE PROPERTY OF DIGITAL EQUIPMENT CORPORATION AND SHALL NOT BE REPRODUCED OR COPIED OR USED IN WHOLE OR IN PART AS THE BASIS FOR THE MANUFACTURE OR SALE OF ITEMS WITHOUT WRITTEN PERMISSION. THIS IS AN UNPUBLISHED WORK PROTECTED UNDER THE FEDERAL COPYRIGHT LAWS."

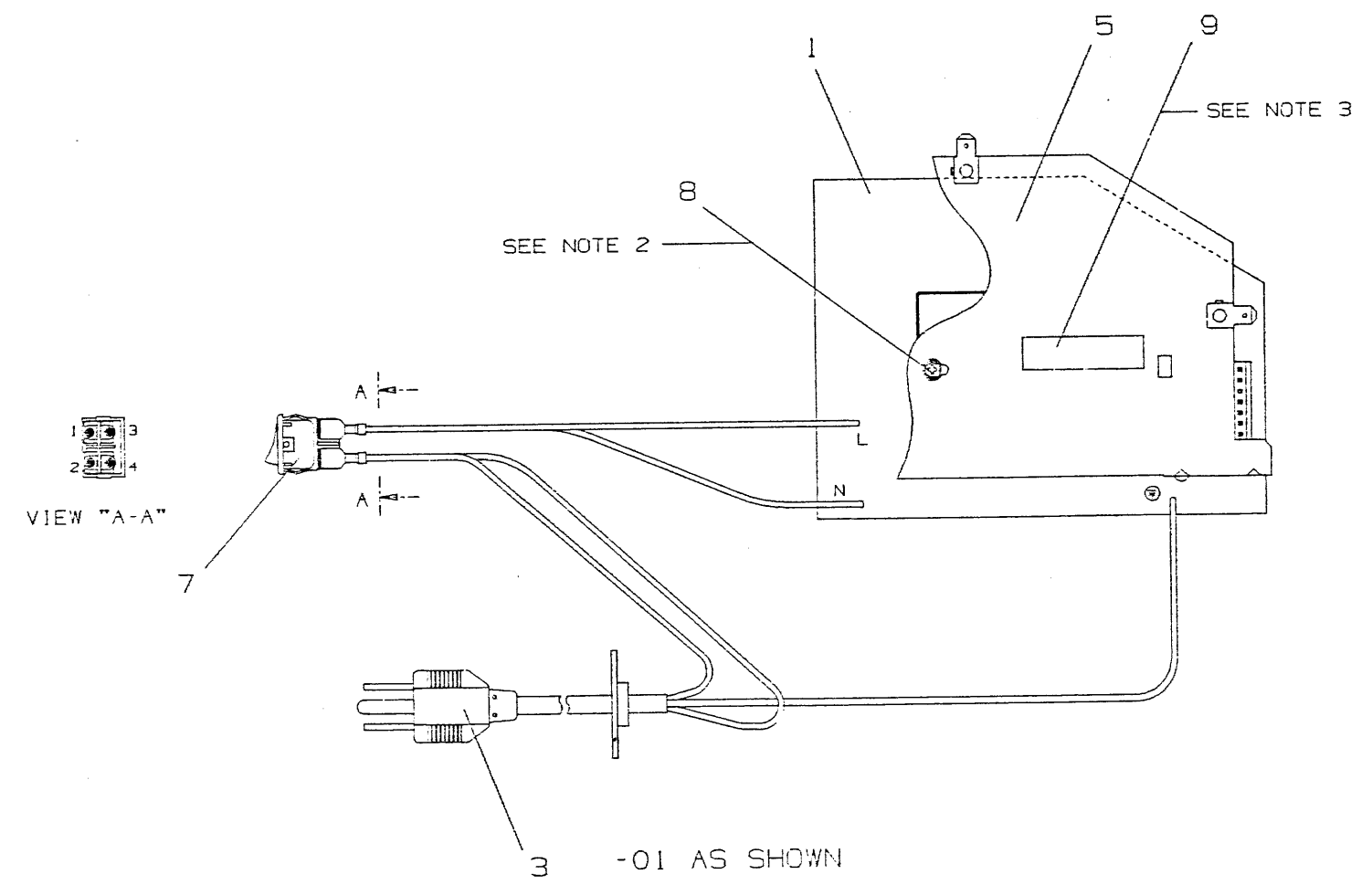
THIS DRAWING AND SPECIFICATIONS ARE THE PROPERTY OF DIGITAL EQUIPMENT CORPORATION AND ARE TO BE USED ONLY FOR THE MANUFACTURE OF THIS EQUIPMENT. NO PARTS ARE TO BE MANUFACTURED OR USED WITHOUT WRITTEN PERMISSION.  
COPYRIGHT 1987 DIGITAL EQUIPMENT CORPORATION

REV. A  
D IAD 7024244-0-DBU  
NO. 1

LEGEND		
PART NO	REV.	DESCRIPTION
7024244-01	A01	120V W/ATTACHED PWR CORD
7024244-02	A01	120/240V W/O PWR CORD

- NOTES:
1. POSITION VOLTAGE SELECTION JUMPER FOR 240V ON -02 VAR.
  2. TORQUE REQUIREMENT 4-6 IN-LBS
  3. MARK ITEM 9 WITH PART NO. AND REV. PER DEC STD 047. LOCATED APPROXIMATELY AS SHOWN.

WIRE TABLE -01 VAR						
ITEM NO.	DESCRIPTION	FROM		TO		WITH
		CONNECTION	AWG	CONNECTION	AWG	
3	-	BLU	-	ITEM 7 PWR SW "4"	-	-
3	-	BRN	-	ITEM 7 PWR SW "2"	-	-
3	-	GRN/YEL	-	ITEM 1 "GND SYMBOL"	SOLDER	-
-	18	BLU	ITEM 1 "N"	-	ITEM 7 PWR SW "3"	-
-	18	BRN	ITEM 1 "L"	-	ITEM 7 PWR SW "1"	-



CAUTION: OFF SHEET PARTS LIST EXISTS.  
SEE K-PL-7024244-0-DBP  
(MLA0718A.PLS)

DESCRIPTION	DRAWING NO.	PART NO	ITEM NO.
UNLESS OTHERWISE SPECIFIED DIMENSIONS ARE IN INCHES AND THE FOLLOWING TOLERANCES APPLY (PER DEC STD 114)			
DIMENSIONS RANGE IN INCHES			
INCHES	ANGLES	APPLICABLE DIMENSION RANGE	OVER
TOLERANCE	TOLERANCE	TOLERANCE	TOLERANCE
.XX ± .01	SURFACE QUALITY	10-20	OVER .2
.XXX ± .02		20-30	OVER .3
.XXX ± .005	MICROINCHES	30-40	OVER .4
		40-50	OVER .5
		50-60	OVER .6
		60-70	OVER .7
		70-80	OVER .8
		80-90	OVER .9
		90-100	OVER 1.0
QUANTITY & VARIATION			
THIRD ANGLE PROJECTION	DRW	C.H. CHEN	DATE 15-SEP-88
DO NOT SCALE DRAWING	CHK'D	R.J. LIN	DATE 14-MAY-87
REMOVE BURRS AND BREAK SHARP CORNERS	DES. ENG.	J. KOU	DATE 15-SEP-88
MATERIAL	RESP. ENG.	O. LIN	DATE 14-MAY-87
FINISH	WFO ENG	G. WU	DATE 14-MAY-87
	TOP DOC. NO.	D-AD-7024244-0-DBU	SCALE 1/1
			SHEET 1 OF 2
TITLE		POWER SUPPLY ASSY	
DOCUMENT NUMBER		7024244-0-DBU	
SIZE CODE		A	

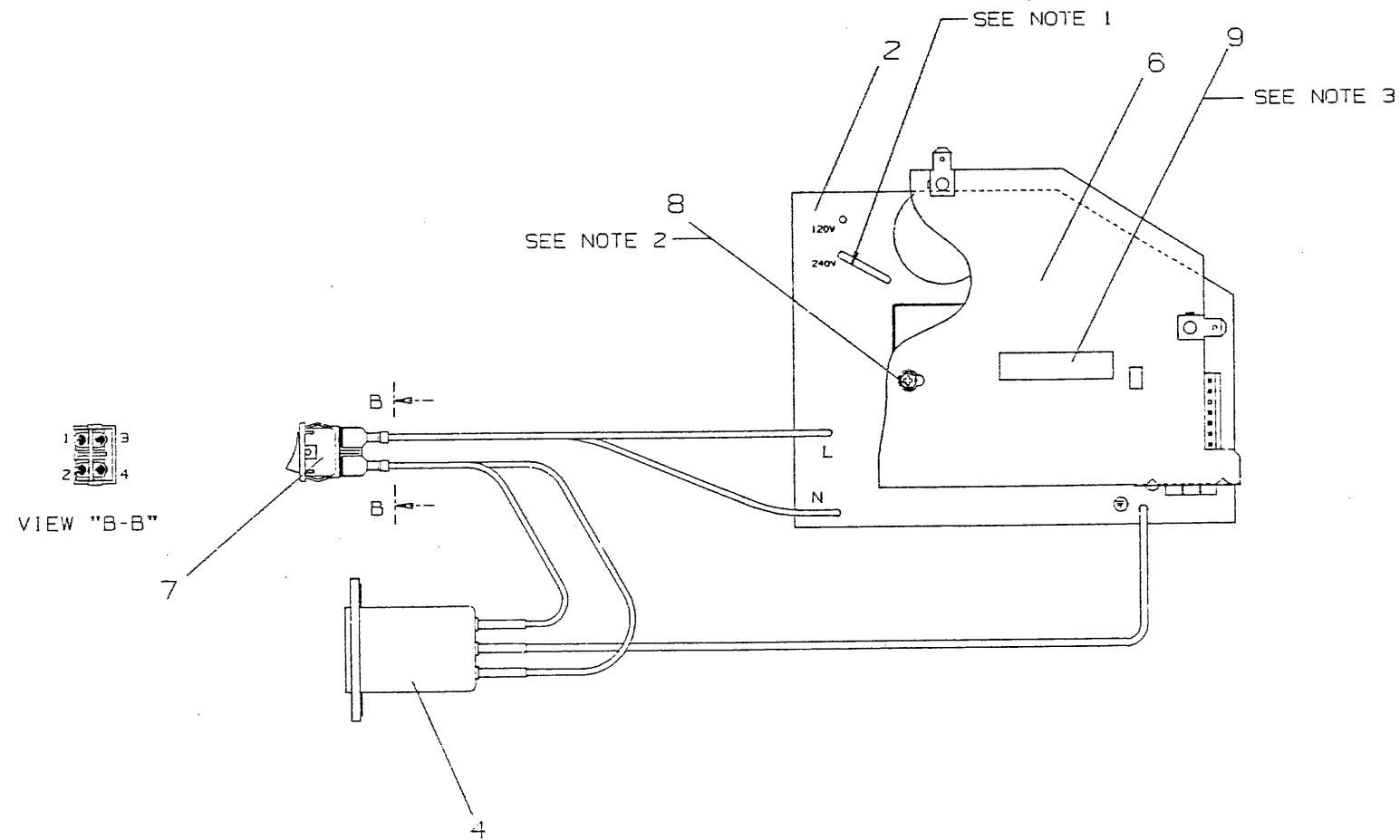
REV	DATE	BY	APP
A			

8 7 6 5 4 3 2 1

THIS DRAWING AND SPECIFICATIONS HEREBY ARE THE PROPERTY OF DIGITAL EQUIPMENT CORPORATION AND ARE TO BE USED ONLY FOR THE PURPOSES AND IN THE MANNER SPECIFICALLY AUTHORIZED BY THE WRITER OF THIS DRAWING. NO PART OF THIS DRAWING OR SALE OF THIS DRAWING WITHOUT WRITTEN PERMISSION.  
 COPYRIGHT © 1987 DIGITAL EQUIPMENT CORPORATION

6 5 4 3 2 1

WIRE TABLE -02 VAR							
ITEM NO.	DESCRIPTION	FROM		TO			
		AWG	COLOR	CONNECTION	WITH		CONNECTION
4	-	BLU	-	-	ITEM 7 PWR SW "4"	-	
4	-	BRN	-	-	ITEM 7 PWR SW "2"	-	
4	-	GRN/YEL	-	-	ITEM 2 "GND SYMBOL"	SOLDER	
-	18	BLU	ITEM 1 "N"	-	ITEM 7 PWR SW "3"	-	
-	18	BRN	ITEM 1 "L"	-	ITEM 7 PWR SW "1"	-	



-02 AS SHOWN

REVISION HISTORY		
REV.	ECO NUMBER	DATE

TITLE  
POWER SUPPLY ASSY

DOCUMENT NUMBER			
SIZE	CODE	NUMBER	REV.
D	AD	7024241-0-DBU	A
SCALE 1/1		SHEET 2 OF 2	

8 7 6 5 4 3 2 1

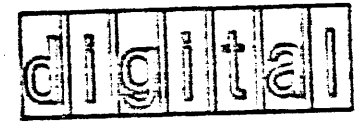
REV. A  
 NUMBER 7024241-0-DBU  
 SIZE D

DRAWING NO.	No. OF SHTS.	PART NO.	DESCRIPTION	REVISIONS																
				1	2	3	4	5	6	7	8	9	10	11	12	13	14	15	16	
		54-17279-01	POWER SUPPLY MODULE	AI																
D-UA-5417279-0-0	1		UNIT ASSY	A																
B-CS-5417279-0-1	1		SCHEMATIC	A																
K-PL-5417279-0-C8P	2		PARTS LIST	A																
K-PC-5417279-0-C8V	1		P.C. DESIGN DATA BASE	A																
K-CS-5417279-0-C8X	1		VALID DATA BASE	A																
		50-17278-01	ETCH CIRCUIT BOARD	ED1																
B-CD-5017278-0-0	1		DRAWING DIRECTORY	A																

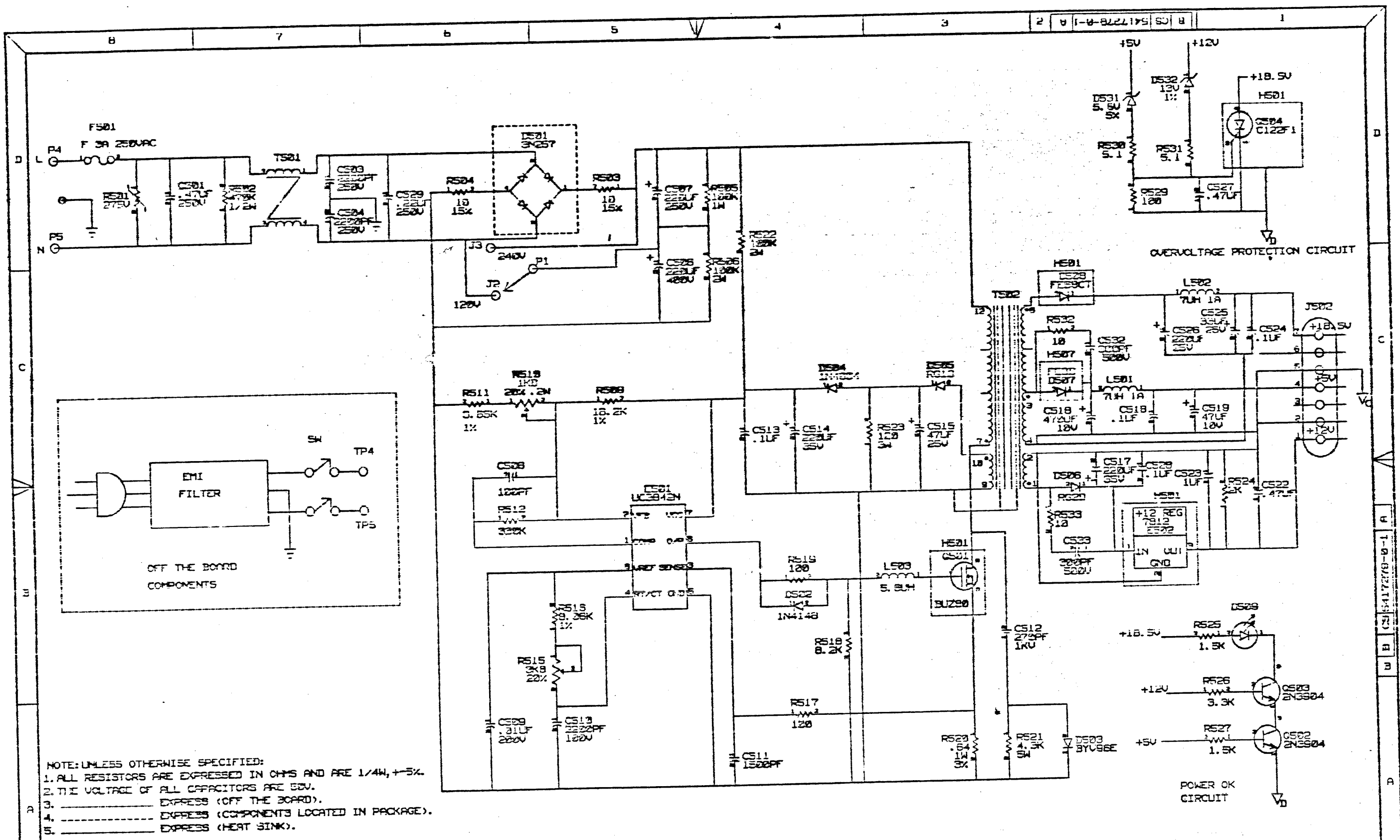
NOTES:

DATE	JUN '87	REV.	A
ECC NO.			
RELEASED			

THIS DRAWING AND THE SPECIFICATIONS CONTAINED HEREIN ARE CONFIDENTIAL AND PROPRIETARY. THEY ARE THE PROPERTY OF DIGITAL EQUIPMENT CORPORATION AND SHALL NOT BE REPRODUCED OR COPIED OR USED IN WHOLE OR IN PARTS AS THE BASIS FOR THE MANUFACTURE OR SALES OF ITEMS WITHOUT WRITTEN PERMISSION. THIS IS AN UNPUBLISHED WORK PROTECTED UNDER THE FEDERAL COPYRIGHT LAWS.



DRN.	F. LIU	DATE	20-NOV-86	TITLE	DWG DIR, POWER SUPPLY MODULE		
CHK'D	B. CHEN	DATE	20-NOV-86	DOCUMENT NUMBER			
DES. ENG.	V. LIN	DATE	20-NOV-86	SIZE	CODE	NUMBER	REV.
RESP. ENG.	J. B. LO	DATE	20-NOV-86	B	DD	5417279-0-0	A
WFS. ENG.	B. CHRISTIANSEN	DATE	11-JUN-87	SHEET	1 OF 1		



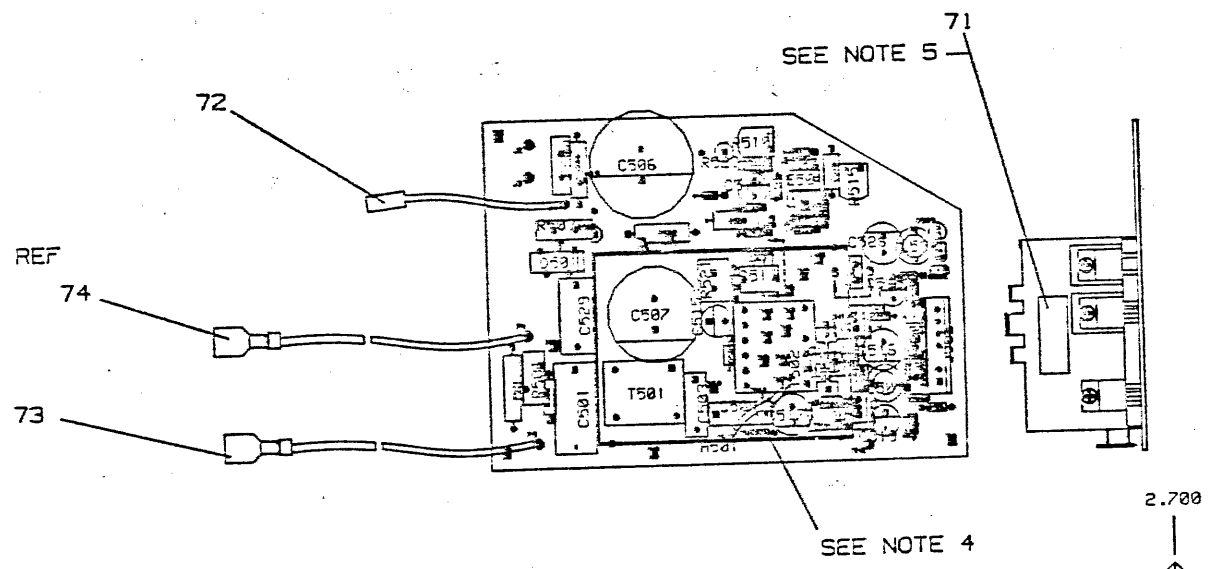
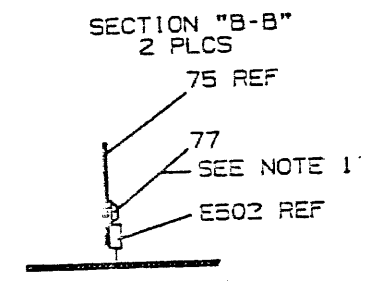
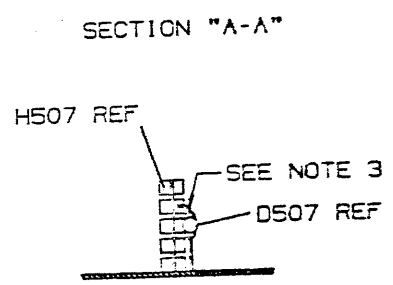
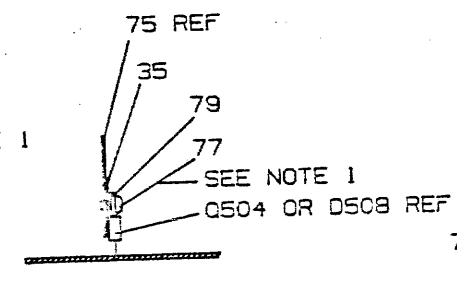
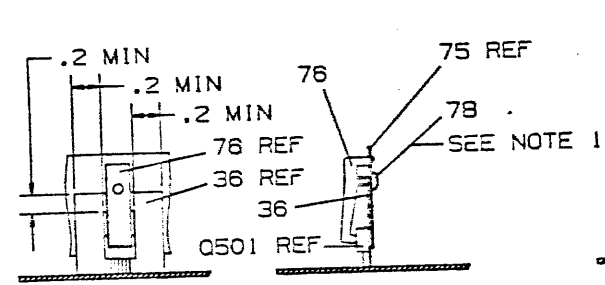
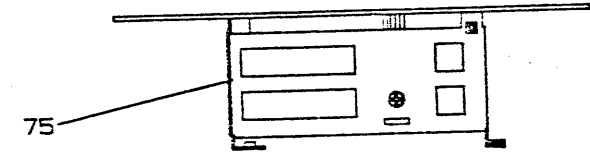
NOTE: UNLESS OTHERWISE SPECIFIED:  
 1. ALL RESISTORS ARE EXPRESSED IN OHMS AND ARE 1/4W, +5%.  
 2. THE VOLTAGE OF ALL CAPACITORS ARE 50V.  
 3. \_\_\_\_\_ EXPRESS (OFF THE BOARD).  
 4. - - - - - EXPRESS (COMPONENTS LOCATED IN PACKAGE).  
 5. \_\_\_\_\_ EXPRESS (HEAT SINK).

THIS DRAWING IS UNCLASSIFIED DATE 07-28-2011 BY 60322 UCBAW/BJS UNLESS INDICATED OTHERWISE THIS DRAWING IS UNCLASSIFIED DATE 07-28-2011 BY 60322 UCBAW/BJS UNLESS INDICATED OTHERWISE	REVISION CHANGE NO. REV JUN '97 RELEASED A	DRAWING LAST_MODIFIED=Thu Jun 4 11:45:27 1987	DESIGNED L. M. WANG 24-JUL-86	CHECKED J. F. LU 24-JUL-86	AUTHORIZED Victor Lin 24-JUL-86	TITLE SCHEMATIC, POWER SUPPLY MODULE (INTERNATIONAL)	SHEET 3	NUMBER 5417279-3-1	REV. A
	TOP DOCUMENT NUMBER 3-00-5417279-3-0						1	BPO	

THE DRAWING AND THE SPECIFICATIONS CONTAINED HEREIN ARE THE PROPERTY OF THE UNITED STATES GOVERNMENT AND ARE LOANED TO YOU BY THE NATIONAL BUREAU OF STANDARDS. YOU ARE TO REPRODUCE AND TRANSMIT THIS DRAWING AND THE SPECIFICATIONS CONTAINED HEREIN IN ANY FORM OR BY ANY MEANS, ELECTRONIC OR MECHANICAL, INCLUDING PHOTOCOPYING, RECORDING, OR BY ANY INFORMATION STORAGE AND RETRIEVAL SYSTEM, WITHOUT EXPRESS PERMISSION OF THE NATIONAL BUREAU OF STANDARDS. COMMENT: 3 1977 DIGITAL EQUIPMENT CORPORATION

0-0-5417279-0-0

- NOTE:
1. TORQUE REQUIREMENT: ITEMS 77 & 78 3-5 IN-LBS.
  2. THIS BOARD MUST MEET SAFETY REQUIREMENT FOR HPWR.
  3. LEAD OF D507 PIN 1 AS SHORT AS POSSIBLE.
  4. SOLDER GROUNDING WIRE OF T502 TO P6 (GND HOLE).
  5. MARK LABEL WITH SERIAL NUMBER PER DEC STD 047, LOCATED APPROXIMATELY AS SHOWN.



CHK	DRAWN BY	ENGINEER	CHANGE NO	DATE	REV

CHK	DRAWN BY	ENGINEER	CHANGE NO	DATE	REV

STEP	1	+	Y	AXIS	STEP	TIMES
REPEAT						

SIGNATURES		DATE	TITLE
DRAWN	NELSON LEE	30-04-77	
CHECKED	B. CHEN	30-04-77	POWER SUPPLY MODULE
MECH ENG	J. KOU	30-04-77	
PROD ENG	J. B. LO	30-04-77	
PRCD			
SCALE	1/1		
SHEET	1 OF 1		
TOP DOC NO	B-00-5417279-0-0		

digital

820 1 WO#

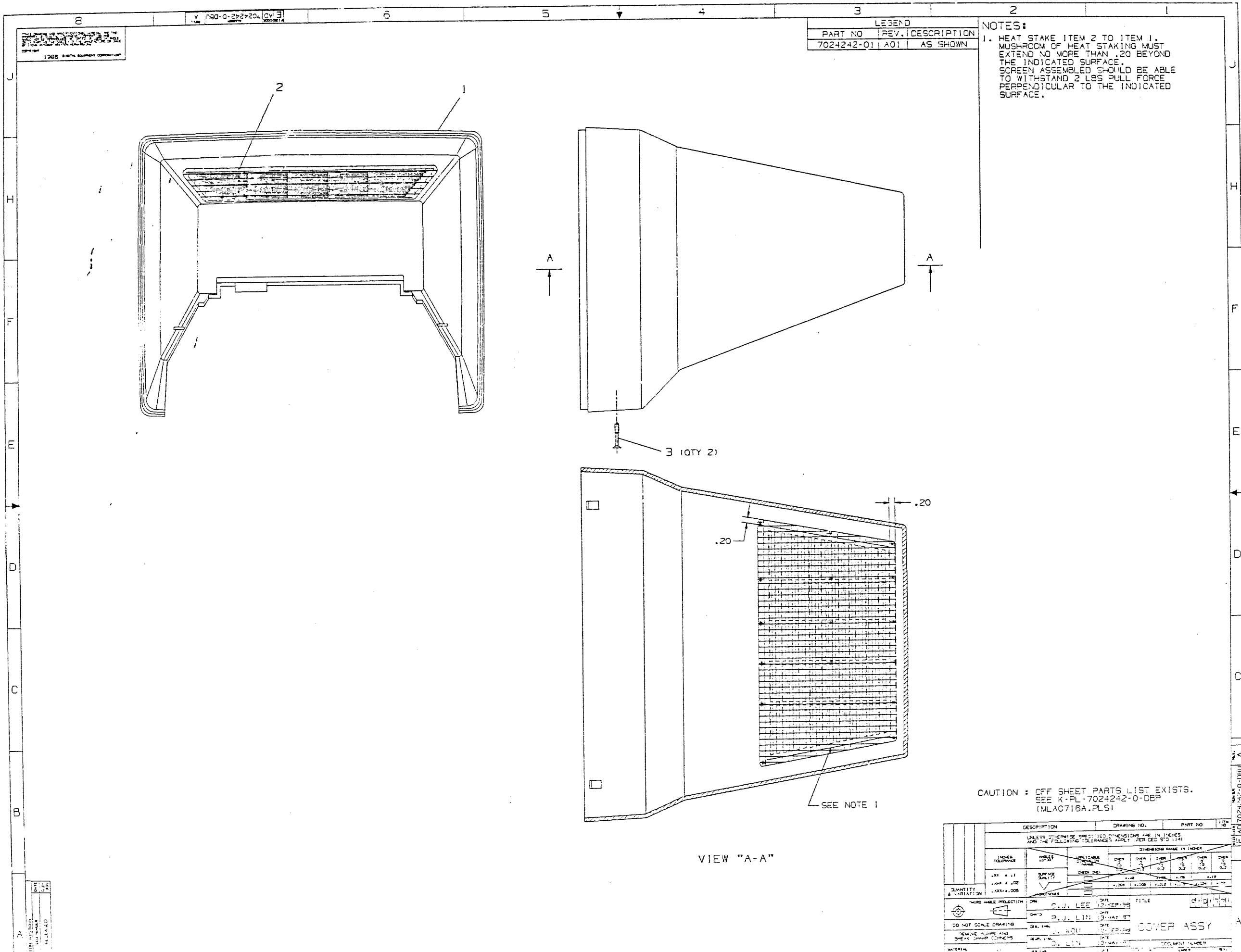
LINE	ITEM	TOP DOCUMENT	PART NUMBER	MIN REV	DESCRIPTION	QTY PER VAR/REV	REFERENCE DESIGNATORS
						01 A1	
1	1	B-DD-5017278-0-0	50-17278-01	E	DRILL AND ETCH	1	
2	2		10-10274-02		1.0 MFD 50V +80/-20% Z5U C	1	C523
3	3		10-10978-60		0.10 MFD 50V +/-10% X7R C	3	C513,C518,C524
4	4		10-12312-01		0.47 MFD 50V +80/-20% Z5U C	2	C522,C527
5	5		10-13466-06		100 PFD 50V +/- 5% NP0 C	1	C508
6	6		10-13466-22		0.10 MFD 50V +80/-20% Z5U C	1	C528
7	7		10-13466-29		1500 PFD 50V +/- 5% NP0 C	1	C511
8	8		10-16572-00		300 PFD 500V +/-10% X5F/X	2	C532,C533
9	9		10-16639-00		0.010MFD 200V +/-10% MYLAR	1	C509
10	10		10-19413-06		220 MFD 250V +50/-20% ALU	1	C507
11	11		10-22398-01		470 MFD 10V +/-20% ALU	1	C516
12	12		10-24317-02		0.47 MFD 250VAC +/-20% LIN	1	C501
13	13		10-24317-03		0.22 MFD 250VAC +/-20% LIN	1	C529
14	14		10-24375-01		2200 PFD 250VAC +/-20% LIN	2	C503,C504
15	15		10-24422-01		220 MFD 35V +/-20% ALU	1	C514
16	16		10-26456-01		2200 PFD 100V +/- 1% POLYPR	1	C510
17	17		10-27183-02		270 PFD 1000V +/-20% POLYP	1	C512
18	18		10-27912-01		47 MFD 25V +/-20% ALU	1	C515
19	19		10-27942-01		220 MFD 25V +/-20% ALU	1	C526
20	20		10-27944-01		220 MFD 400V +/-20% ALU	1	C506
21	21		10-27955-01		33 MFD 25V +/-20% ALU	1	C525
22	22		10-28104-01		47 MFD IPV +/-20% ALU	1	C519
23	23		10-28114-01		220 MFD 35V +/-20% ALU	1	C517
24	24		11-02808-00		VZ= 5.6 5% 400 MW 1N752A	1	D531
25	25		11-05796-00		PIV= 400 IO= 1.00A 1N4004 DO-41	1	D504
26	26		11-12595-01		PIV= 200 IO= 1.00A AXIAL	1	D505
27	27		11-14384-00		LED 105MW 35MA GREEN	1	D509
28	28		11-16475-00		PIV= 75 - 4NS 1N4148	1	D502
29	29		11-17490-00		RECT,ULTRA FAST PIV= 150 IO= 8.0	1	D508
30	30		11-18411-00		VZ= 13.0 1% 500 MW 1N5243	1	D532
31	31		11-20828-01		PIV=1000 IO= 1.50A	1	D503
32	32		11-21435-01		RECT. ASSY PIV= 600 IO= 2.00A	1	D501

REVISION HISTORY		KPL MODULE FORMAT		SECTION A OF A		DRN: F LIU		DIGITAL		
ENG	ECO NUMBER	REV	SECTION/VARIATION INDEX		DATE:	DATE: 20-NOV-86				
---	INITIAL	A	[A]	01	[M]	CHK'D:	B CHEN		TITLE	PARTS LIST
			[B]		[N]	DATE:	20-NOV-86		POWER SUPPLY MODULE	
			[C]		[P]	DES.ENG:	V LIN			
			[D]		[Q]	DATE:	20-NOV-86		DOCUMENT NUMBER	
			[E]		[R]	RESP.ENG.:	JB LO		SIZE	CODE
			[F]		[S]	DATE:	20-NOV-86		NUMBER	REV
			[H]		[T]	MFG.ENG.:	G. CHRISTIANSEN		K	PL
			[J]		[V]	DATE:	09-JUN-87		5417279-0-DBP	A
			[K]		[W]			RELEASE DATE: 17-JUN-87		
			[L]		[Y]			RELEASE STATUS: RELEASED		
		BASIC PART NUMBER:		ASSEMBLY NUMBER:		TOP DOCUMENT NUMBER:		FILE NAME:		EDIT #
		5417279		D-UA-5417279-0-0		B-DD-5417279-0-0		MLA1270A.PLS		16

"THIS DRAWING AND THE SPECIFICATIONS CONTAINED HEREIN ARE CONFIDENTIAL AND PROPRIETARY. THEY ARE THE PROPERTY OF DIGITAL EQUIPMENT CORPORATION AND SHALL NOT BE REPRODUCED OR COPIED OR USED IN WHOLE OR IN PART AS THE BASIS FOR THE MANUFACTURE OR SALE OF ANY EQUIPMENT WITHOUT WRITTEN PERMISSION. THIS IS AN UNPUBLISHED WORK PROTECTED UNDER THE FEDERAL COPYRIGHT LAW."



LINE	ITEM	TOP DOCUMENT	PART NUMBER	MIN REV	DESCRIPTION	QTY	PER VAR/REV	REFERENCE DESIGNATORS
						01		
						A1		
33	33		11-25363-04		RECT,ULTRA FAST PIV=200 IO= 2.0A	1		D506
34	34		11-28186-01		PIV= 100 IO= 3.0 A 35NS	1		D507
35	35		12-13071-06		INSULATOR,RUBBER SILICONE	2		
36	36		12-13071-22		INSULATOR,RUBBER SILICONE	1		
37	37		12-15228-03		HEAT SINKS,T0-220 1.250X0.87	1		H507
38	38		12-24261-01		PCB HEADER PIN .12500 TIN	2		J2,J3
39	39		12-28096-01		FUSE,5X20 3.0 A 250V AXIAL LEA	1		F501
40	40		12-28477-02		PCB HEADER 07POS(1X07).156CC STR	1		J502
41	41		13-00229-00		100.0 .25 W 5.0 % CF	3		R517,R519,R529
42	42		13-00391-00		1.50 K .25 W 5.0 % CF	2		R525,R527
43	43		13-00439-00		3.30 K .25 W 5.0 % CF	1		R526
44	44		13-01317-00		10.0 .25 W 5.0 % CF	2		R532,R533
45	45		13-02091-00		330.0 K .25 W 5.0 % CF	1		R512
46	46		13-02388-00		2.0 K .25 W 5.0 % CF	1		R524
47	47		13-03179-00		8.20 K .25 W 5.0 % CF	1		R518
48	48		13-05337-J0		3.65 K .25 W 1.0 % RN55D-F10	1		R511
49	49		13-09412-00		18.20 K .25 W 1.0 % RN55D-F10	1		R509
50	50		13-09422-00		5.10 .25 W 5.0 % CF	2		R530,R531
51	51		13-11996-02		VARISTOR 275VAC VOLT TRANS SUP	1		R501
52	52		13-18150-12		8.06 K .25 W 1.0 % RN55D-F10	1		R516
53	53		13-19470-53		100.0 K 1.0 W 5.0 % M.OXIDE	1		R505
54	54		13-19471-44		100.0 K 2.0 W 5.0 % M.OXIDE	2		R506,R522
55	55		13-20715-01		470.0 K .50 W 5.0 % CF	1		R502
56	56		13-27007-01		THERMISTOR NTC 10. 15%	2		R503,R504
57	57		13-27013-13		120.0 3.0 W 5.0 % M.OXIDE	1		R523
58	58		13-28026-02		POT-OPEN/TRIM 1.0K 0.2 W 20.0	1		R510
59	59		13-28026-07		POT-OPEN/TRIM 3.0K 0.2 W 20.0	1		R515
60	60		13-28255-01		4.3 K 5.0 W 5.0% MO	1		R521
61	61		13-28260-01		0.64 1.0 W 3.0 % WW	1		R520
62	62		15-09524-00		2N 3904 NPN 310MW SI 40 40 M	2		Q502,Q503
63	63		15-19536-01		SCR PIV= 50 IO= 8.00A	1		Q504
64	64		15-21377-01		FET 75W 850V 2A N CH	1		Q501
65	65		16-12946-03		5.6 UH 10% 0 MIN=52@7.9MHZ	1		L503
66	66		16-28285-01		CHOKE COIL 7.0UH	2		L501,L502
67	67		16-28363-01		XFMR,SWITCH MODE 8.5KHZ	1		T502
68	68		16-28431-01		INDUCTOR,COMMON MODE	1		T501
69	69		19-12048-05		7812 VOLT REG,FIX +12V	1		E502
70	70		19-23626-01		PWM OFF-LINE CURRENT	1		E501
71	71		36-18460-01		LABEL,BAR CODE BLANK .38 X1.5	1		
72	72	D-1A-7022361-0-0	70-22361-00	A	JUMPER VOLTAGE SELECTOR	1		P1
73	73	B-1A-7023276-0-DBU	70-23276-05	A	WIRE W/FASTON	1		P5
74	74	B-1A-7023276-0-DBU	70-23276-06	A	WIRE W/FASTON	1		P4
75	75	B-1A-7024553-0-DBU	70-24553-01	A	ENCLOSURE, SHIELD W/GND TABS	1		H501
76	76	C-MD-7435248-0-DBU	74-35248-01	A	CLIP	1		
77	77		90-08301-01		SCREW,MACH PAN PHIL 4-	3		
78	78		90-09800-02		SCREW,THD RL,PAN PHIL F/PLAS	1		
79	79		90-10057-00		WASHER,SHOULDER INSULATG PPS	2		



DESCRIPTION	DRAWING NO.	PART NO.	REV.
COVER ASSY	7024242-01	7024242-01	A01

INCHES TOLERANCE	SURFACE QUALITY	DIMENSION RANGE IN INCHES					
		OVER	OVER	OVER	OVER	OVER	OVER
.01 & .1	✓	0.0001	0.0002	0.0003	0.0004	0.0005	0.0006
.001 & .002	✓	0.0001	0.0002	0.0003	0.0004	0.0005	0.0006
.003 & .005	✓	0.0001	0.0002	0.0003	0.0004	0.0005	0.0006

QUANTITY & VARIATION	THIRD ANGLE PROJECTION	DATE	TITLE
1	✓	10-SEP-58	COVER ASSY

PARTS LIST

LINE	ITEM	TOP DOCUMENT	PART NUMBER	MIN REV	DESCRIPTION	QTY
1	1	E-MD-7434074-0-DBU	74-34074-01	A	COVER, TOP	1
2	2	B-MD-7434862-0-DBU	74-34862-01	A	SCREEN, LOUVER	1
3	3		12-28386-01		SCREW, CAPTIVE 6-32	2

REVISION HISTORY		KPL MATRIX FORMAT		SECTION A OF A	DRN: C. J. LEE	DIGITAL		
ENG	ECO NUMBER	REV	SECTION/VARIATION INDEX		DATE: 17-SEP-86	TITLE PARTS LIST		
---	INITIAL	A	[A]	01	CHK'D: R. J. LIN	COVER ASSY		
			[B]		DATE: 13-MAY-87			
			[C]		DES. ENG: J. KOU			
			[D]		DATE: 17-SEP-86	DOCUMENT NUMBER		
			[E]			SIZE	CODE	NUMBER
			[F]		RESP. ENG.: O. LIN	K	PL	7024242-0-DBP
			[H]		DATE: 13-MAY-87			REV
			[J]					A
					MFG. ENG: GORDON WU	RELEASE DATE: 18-JUN-87		
					DATE: 11-JUN-87	RELEASE STATUS: RELEASED		
					BASIC PART NUMBER:	ASSEMBLY NUMBER:	TOP DOCUMENT NUMBER:	FILE NAME:
					7024242	E-AD-7024242-0-DBU	E-AD-7024242-0-DBU	MLA0716A.PLS
								EDIT #
								5

"THIS DRAWING AND THE SPECIFICATIONS CONTAINED HEREIN ARE CONFIDENTIAL AND PROPRIETARY. THEY ARE THE PROPERTY OF DIGITAL EQUIPMENT CORPORATION AND SHALL NOT BE REPRODUCED OR COPIED OR USED IN WHOLE OR IN PART AS THE BASIS FOR THE MANUFACTURE OR SALE OF ITEMS WITHOUT WRITTEN PERMISSION. THIS IS AN UNPUBLISHED WORK PROTECTED UNDER THE FEDERAL COPYRIGHT LAWS."

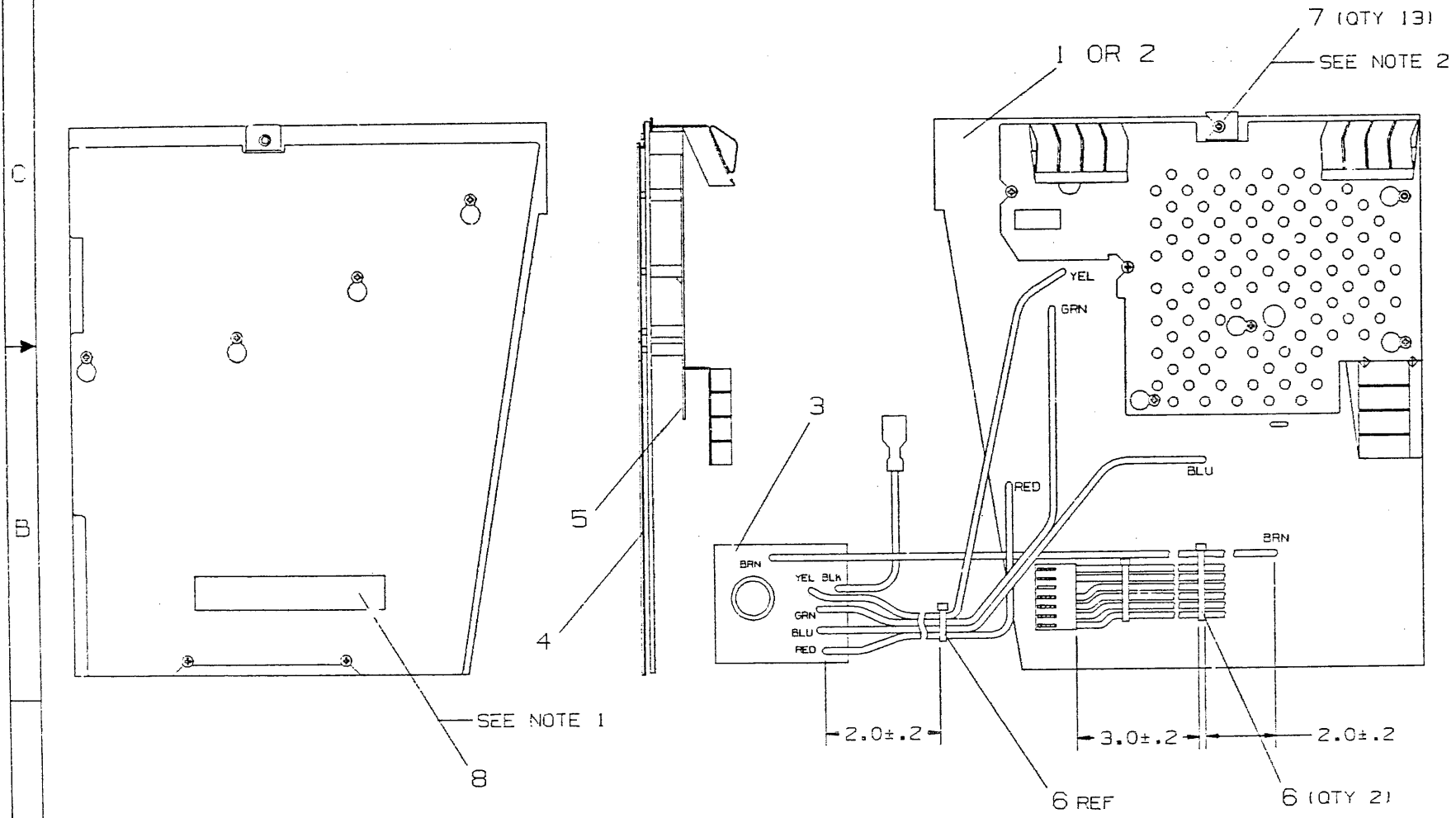
UNLESS OTHERWISE SPECIFIED, MATERIALS ARE TO BE THE PROPERTY OF THE MANUFACTURER. THE USER SHALL BE RESPONSIBLE FOR THE PROTECTION OF THE DRAWING FROM UNAUTHORIZED REPRODUCTION OR SALE OF THE DRAWING WITHOUT WRITTEN PERMISSION.  
COPYRIGHT © 1987 DIGITAL EQUIPMENT CORPORATION

LEGEND		
PART NO	REV.	DESCRIPTION
7024577-01	A01	AS SHOWN
7024577-02	A01	AS SHOWN

NOTES:

1. MARK ITEM 8 WITH PART NO. AND REV. PER DEC STD 047. LOCATED APPROXIMATELY AS SHOWN.
2. TORQUE REQUIREMENT:  
ITEM 7 4-6 IN-LBS

INTERCONNECTION TABLE				
ITEM	FROM DESCRIPTION	ITEM	TO DESCRIPTION	WITH
1 OR 2	MONITOR, LOGIC CONTROL MODULE WIRE W/PCB CRIMP BRN	3	ARC PROTECTION MODULE MH1	SOLDER
1 OR 2	MONITOR, LOGIC CONTROL MODULE WIRE W/PCB CRIMP YEL	3	ARC PROTECTION MODULE MH2	SOLDER
1 OR 2	MONITOR, LOGIC CONTROL MODULE WIRE W/PCB CRIMP RED	3	ARC PROTECTION MODULE MH3	SOLDER
1 OR 2	MONITOR, LOGIC CONTROL MODULE WIRE W/PCB CRIMP GRN	3	ARC PROTECTION MODULE MH4	SOLDER
1 OR 2	MONITOR, LOGIC CONTROL MODULE WIRE W/PCB CRIMP BLU	3	ARC PROTECTION MODULE MH5	SOLDER



CAUTION: OFF SHEET PARTS LISTS EXISTS  
SEE K-PL-7024577-0-DBP  
(MLA1472A.PLS)

DESCRIPTION	DRAWING NO.	PART NO	ITEM NO
UNLESS OTHERWISE SPECIFIED DIMENSIONS ARE IN INCHES AND THE FOLLOWING TOLERANCES APPLY (PER DEC STD 114)			
INCHES TOLERANCE	ANGLES 10°-30°	DIMENSIONS RANGE IN INCHES	
		APPLICABLE DIMENSION RANGE	CHECK ONE
.X±.1 .XX±.02 .XXX±.005	SURFACE QUALITY	OVER 0 TO 0.2 OVER 0 TO 0.2 OVER 0 TO 0.2 OVER 0 TO 0.2 OVER 0 TO 0.2	<input type="checkbox"/> .004 <input type="checkbox"/> .008 <input type="checkbox"/> .012 <input type="checkbox"/> .016 <input type="checkbox"/> .024 <input type="checkbox"/> .04
QUANTITY & VARIATION	MICROINCHES	THIRD ANGLE PROJECTION	TITLE: MONITOR & LOGIC W/ARC PROTECTION DOCUMENT NUMBER: D11A7024577-0-DBU A SCALE: 1/1 SHEET 1 OF 1
REVISED BY: [ ] DATE: [ ] ECO NUMBER: [ ] RELEASED: [ ]	DESIGNED BY: Y.W. LEE DATE: 12-MAY-87 CHECKED BY: R.J. LIN DATE: 12-MAY-87 DESIGNED BY: J. KUO DATE: 12-MAY-87 RESPONSIBLE BY: O. LIN DATE: 12-MAY-87 MATERIAL: [ ] DATE: 12-MAY-87 FINISH: [ ] DATE: 12-MAY-87	DRAWN BY: Y.W. LEE DATE: 12-MAY-87 CHECKED BY: R.J. LIN DATE: 12-MAY-87 DESIGNED BY: J. KUO DATE: 12-MAY-87 RESPONSIBLE BY: O. LIN DATE: 12-MAY-87 MATERIAL: [ ] DATE: 12-MAY-87 FINISH: [ ] DATE: 12-MAY-87	DIGITAL MONITOR & LOGIC W/ARC PROTECTION DOCUMENT NUMBER: D11A7024577-0-DBU A SCALE: 1/1 SHEET 1 OF 1

REV	BY	DATE

LINE ITEM	TOP DOCUMENT	PART NUMBER	MIN REV	DESCRIPTION	Q1	Q2
				QUANTITY PER VARIATION/REVISION		
				A1	A1	
1	1 B-DD-5417189-0-0	54-17189-01	A	MONITOR LOGIC CONTROL BOARD	1	-
2	2 B-DD-5417277-0-0	54-17277-01	A	LOGIC CNTRL BRD MONITOR	-	1
3	3 B-DD-5417339-0-0	54-17339-01	A	ARC PROTECTION BOARD	1	1
4	4 C-IA-7024597-0-DBU	70-24597-01	A	SHIELD/INSULATOR	1	1
5	5 C-IA-7025384-0-DBU	70-25384-01	A	COVER EMI W/GND FINGERS	1	1
6	6	90-09996-00		TIE,CABLE PRELOADED MAG.100 EA	2	2
7	7	12-23598-02		SCREW,PAN, WASHER 4-40	13	13
8	8	36-18460-03		LABEL,BAR CODE BLANK .90 X2.2	1	1

REVISION HISTORY		KPL MATRIX FORMAT		SECTION A OF A		DRN: Y.W. LEE		D I G I T A L		
ENG	ECO NUMBER	REV	SECTION/VARIATION INDEX		DATE:	11-MAY-87				
---	INITIAL	A	[A]	01,02	CHK'D:	R.J. LIN	TITLE PARTS LIST			
			[B]		DATE:	14-MAY-87	MONITOR & LOGIC			
			[C]		DES.ENG:	J. KUO	W/ARC PROTECTION			
			[D]		DATE:	11-MAY-87	DOCUMENT NUMBER			
			[E]		RESP.ENG.:	O. LIN	SIZE	CODE	NUMBER	REV
			[F]		DATE:	14-MAY-87	K	PL	7024577-0-DBP	A
			[H]		MFG.ENG:	GORDON WU	RELEASE DATE: 18-JUN-87			
			[J]		DATE:	11-JUN-87	RELEASE STATUS: RELEASED			
BASIC PART NUMBER:		ASSEMBLY NUMBER:		TOP DOCUMENT NUMBER:		FILE NAME:		EDIT #		
7024577		D-IA-7024577-0-DBU		D-IA-7024577-0-DBU		MLA1472A.PLS		11		

"THIS DRAWING AND THE SPECIFICATIONS CONTAINED HEREIN ARE CONFIDENTIAL AND PROPRIETARY. THEY ARE THE PROPERTY OF DIGITAL EQUIPMENT CORPORATION AND SHALL NOT BE REPRODUCED OR COPIED OR USED IN WHOLE OR IN PART AS THE BASIS FOR THE MANUFACTURE OR SALE OF ITEMS WITHOUT WRITTEN PERMISSION. THIS IS AN UNPUBLISHED WORK PROTECTED UNDER THE FEDERAL COPYRIGHT LAWS."